

# Gas Discharge Tube

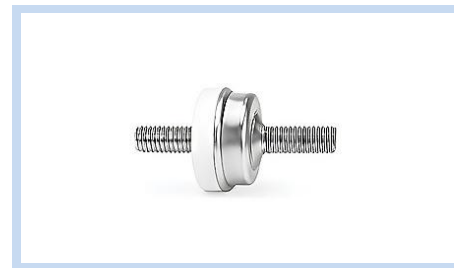
## 600V, 800V 2 Poles Axial

MGTH-A Series

MERITEK

### FEATURE

- Ultra-Fast Surge Response
- High Surge Current Capability
- Stable Breakdown Voltage, High Insulation Resistance
- Micro-Gap Design
- Applications: Surge Protective Devices (SPDs), Power Systems, Industrial Equipment

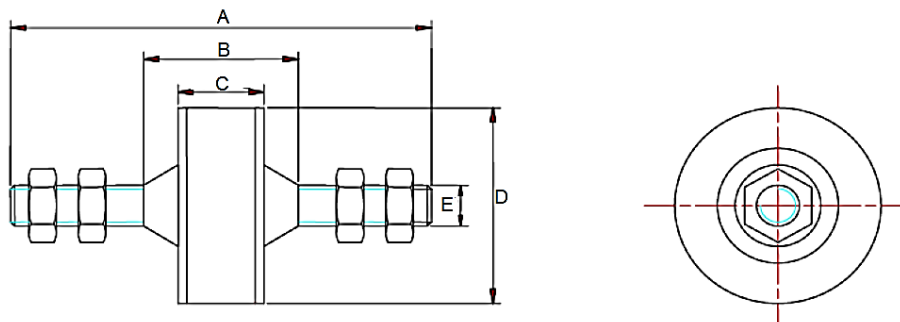


### ELECTRICAL CHARACTERISTICS

Part Number	DC Spark-over Voltage	Impulse Spark-over Voltage	Impulse Discharge Current	Max Impulse Discharge Current	Minimum Insulation Resistance		Maximum Capacitance
	100V/s	1KV/μs	8/20μs	10/350μs	V <sub>T</sub>	IR	1MHz
	(V)	(V)	(KA)	(KA)	(V <sub>DC</sub> )	(GΩ)	(pF)
MGTH08600MCBA	600±20%	1400	80	25	100	1	8
MGTH06800MCBA	800±20%	1600	60	-	100	1	5

Note: Operating Temperature: -40°C ~ +85°C

### DIMENSIONS



Unit: mm

Part Number	A	B	C	D	E
MGTH08600MCBA	49±3	<18	10±0.5	24±0.5	M5
MGTH06800MCBA	33±1	20±1	16±0.5	11.5±0.3	M5

### PART NUMBERING SYSTEM

**MGTH** **08** **600M** **CBA**  
 (1) (2) (3) (4)

No	Item	Code	Description
(1)	Product Code	MGTH	Gas Discharge Tube series, High Surge type
(2)	Discharge Current	08	08: 80KA, 8/20μs 06: 60KA
(3)	DC Spark Over Voltage	600M	600V ±20%(M) DC Spark Over Voltage, 100V/s
(4)	Series Code	CBA	CBA: Axial Internal Control Reference

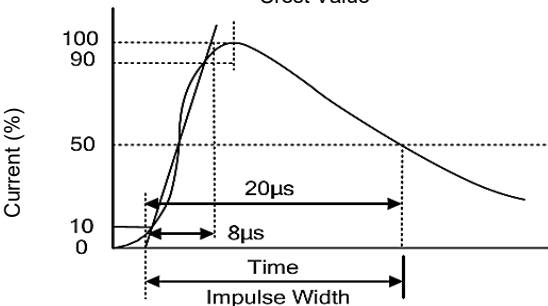
# Gas Discharge Tube

## 600V, 800V 2 Poles Axial

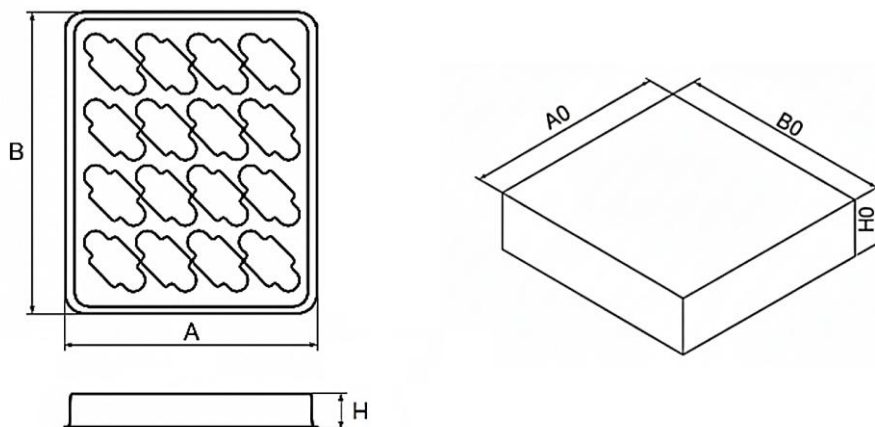
MGTH-A Series

**MERITEK**

### ELECTRICAL RATING

Item	Test Condition	Requirement
DC Spark-over Voltage	The voltage is measured with voltage ramp $dv/dt = 100V/s$ .	To meet the specified value
Maximum Impulse Spark-over Voltage	The voltage is measured with voltage ramp $dv/dt = 1000V/\mu s$ .	
Impulse Discharge Current	<p>Maximum 8/20 <math>\mu s</math> surge current that can be applied between two electrodes. Crest Value</p> 	To meet the specified value
Insulation Resistance	The resistance of gas tube shall be measured between two electrodes.	To meet the specified value
Capacitance	The capacitance of gas tube shall be measured between two electrodes.	

### PACKAGING SPECIFICATION



Unit: mm

Part Number	Package	A $\pm 2.0$	B $\pm 2.0$	H $\pm 2.0$	Qty /Tray	A0 $\pm 2.0$	B0 $\pm 2.0$	H0 $\pm 2.0$	Qty/Box
MGTH08600MCBA	Tray	190	230	22.0	16	200	240	100	64
MGTH06800MCBA	Tray	190	230	18.0	50	200	240	100	250

\*Specifications subject to change without notice.