

Metal Oxide Varistors

Surface Mount



MVS Series

MERITEK

Size: 0402, 0603, 0805, 1206, 1210, 1812, 2230, 3220 --- Please see Page 1 to Page 5

Size: 3225, 4032 (Encapsulated Type) --- Please see Page 6 to Page 9

Size: 0402, 0603, 0805, 1206, 1210, 1812, 2220, 3220



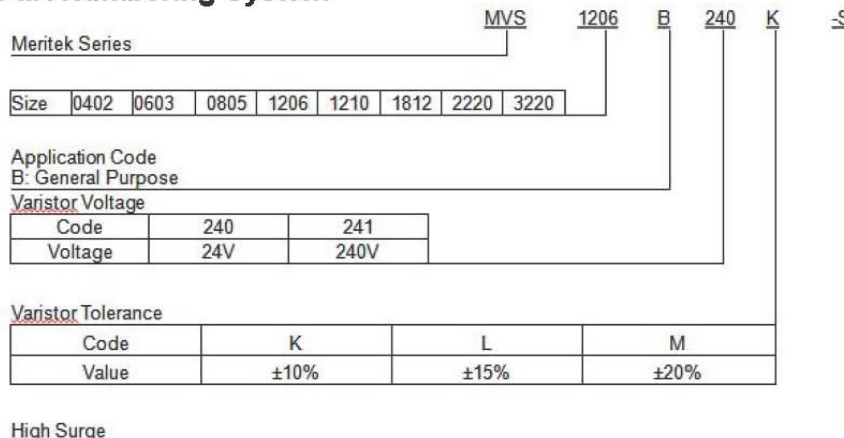
FEATURES

- Working voltage: 5.5 ~ 385 VDC
- -50 ~ +85°C operating temperature range
- Bidirectional and symmetrical V/I characteristics
- Multilayer ceramic construction technology
- Cost effective

RECOMMENDED APPLICATIONS

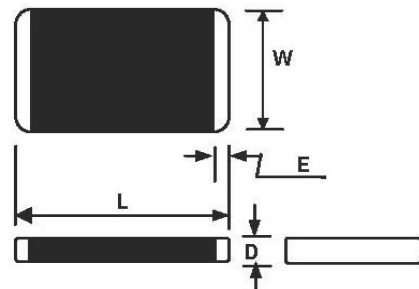
- RF/Handheld Devices
- Telecom / Datacom
- Networking
- Power Supplies
- Instrumentation
- Industrial Controls/Automation

Part Numbering System



DIMENSIONS

Type	L	W	D	E
	mm	mm	mm	mm
0402	1.0 ± 0.10	0.5 ± 0.10	0.5 ± 0.10	0.25 +0.1/-0.1
0603	1.6 ± 0.15	0.8 ± 0.15	0.9 max.	0.3 +0.1/-0.1
0805	2.0 ± 0.20	1.25 ± 0.15	1.0 max.	0.3 +0.1/-0.1
1206	3.2 ± 0.20	1.6 ± 0.15	1.5 max.	0.5 +0.2/-0.2
1210	3.2 ± 0.20	2.5 ± 0.20	1.5 max.	0.5 +0.2/-0.2
1812	4.5 ± 0.20	3.2 ± 0.20	2.0 max.	0.5 +0.3/-0.1
2220	5.7 ± 0.20	5.0 ± 0.20	2.5 max.	0.5 +0.3/-0.1
3220	8.1 ± 0.30	5.0 ± 0.30	2.5 max.	0.8 +0.3/-0.1



Metal Oxide Varistors

Surface Mount



MVS Series

MERITEK

SPECIFICATIONS (0402, 0603, 0805)

Part No.	Working Voltage (MAX)		Breakdown Voltage	Peak Current (MAX)	Clamping Voltage (MAX)		Energy Absorption (MAX)	Typical Capacitance (ref.)
	Condition (Unit)	AC (V _{RMS})			DC (V)	1mA (V)		
MVS0402B050M	2.5	3.3	5(4.0~6.0)	20	1	12	0.05	390
MVS0402B080M	4	5.5	8(6.4~9.6)	20	1	18	0.05	295
MVS0402B120L	6	9	12(10.2~13.8)	20	1	20	0.05	190
MVS0402B150L	8	11	15(12.75~17.25)	20	1	25	0.05	160
MVS0402B180L	11	14	18(15.3~20.7)	20	1	30	0.05	135
MVS0402B220K	12	16.5	22(19.8~24.2)	20	1	36	0.05	105
MVS0402B240K	14	18	24(21.6~26.4)	20	1	40	0.05	93
MVS0402B270K	17	22	27(24.3~29.7)	20	1	45	0.05	75
MVS0402B330K	20	26	33(29.7~36.3)	20	1	54	0.05	54
MVS0402B390K	25	30	39(35.1~42.9)	20	1	65	0.05	45
MVS0603B050M	2.5	3.3	5(4.0~6.0)	30	1	12	0.1	1250
MVS0603B080M	4	5.5	8(6.4~9.6)	30	1	18	0.1	800
MVS0603B120L	6	9	12(10.2~13.8)	30	1	20	0.1	680
MVS0603B150L	8	11	15(12.75~17.25)	30	1	25	0.1	460
MVS0603B180L	11	14	18(15.3~20.7)	30	1	30	0.1	350
MVS0603B240K	14	18	24(21.6~26.4)	30	1	39	0.1	270
MVS0603B270K	17	22	27(24.3~29.7)	30	1	44	0.1	235
MVS0603B330K	20	26	33(29.7~36.3)	30	1	54	0.1	200
MVS0603B390K	25	30	39(35.1~42.9)	30	1	65	0.1	120
MVS0603B470K	30	38	47(42.3~51.7)	30	1	77	0.1	100
MVS0603B560K	35	45	56(50.4~61.6)	30	1	90	0.1	80
MVS0805B080M	4	5.5	8(6.4~9.6)	80	1	18	0.1	1600
MVS0805B120L	6	9	12(10.2~13.8)	80	1	20	0.1	1180
MVS0805B150L	8	11	15(12.75~17.25)	100	1	25	0.1	1050
MVS0805B180L	11	14	18(15.3~20.7)	100	1	30	0.1	750
MVS0805B240K	14	18	24(21.6~26.4)	100	1	39	0.2	550
MVS0805B270K	17	22	27(24.3~29.7)	100	1	44	0.2	400
MVS0805B330K	20	26	33(29.7~36.3)	100	1	54	0.3	350
MVS0805B390K	25	30	39(35.1~42.9)	100	1	65	0.3	310
MVS0805B470K	30	38	47(42.3~51.7)	100	1	77	0.3	280
MVS0805B560K	35	45	56(50.4~61.6)	80	1	90	0.3	195

Metal Oxide Varistors

Surface Mount



MVS Series

MERITEK

SPECIFICATIONS (1206, 1210)

Part No.	Working Voltage (MAX)		Breakdown Voltage	Peak Current (MAX)	Clamping Voltage (MAX)		Energy Absorption (MAX)	Typical Capacitance (ref.)
	Condition (Unit)	AC (V _{RMS})			DC (V)	1mA (V)		
MVS1206B080M	4	5.5	8(6.4~9.6)	100	1	18	0.2	3200
MVS1206B120M	6	9	12(9.6~13.8)	100	1	20	0.2	2200
MVS1206B150L	8	11	15(12.75~17.25)	100	1	25	0.2	1300
MVS1206B180L	11	14	18(15.3~20.7)	100	1	30	0.3	1150
MVS1206B240K	14	18	24(21.6~26.7)	100	1	38	0.3	900
MVS1206B270K	17	22	27(24.3~29.7)	100	1	44	0.4	840
MVS1206B330K	20	26	33(29.7~36.3)	100	1	54	0.5	490
MVS1206B390K	25	30	39(35.1~42.9)	100	1	65	0.6	440
MVS1206B470K	30	38	47(42.3~51.7)	100	1	77	0.7	400
MVS1206B560K	35	45	56(50.4~61.6)	100	1	90	0.8	310
MVS1206B680K	40	56	68(61.2~74.8)	100	1	110	1.0	280
MVS1206B820K	50	65	82(73.8~90.2)	100	1	135	0.5	240
MVS1206B101K	60	85	100(90~110)	100	1	165	0.6	160
MVS1210B120L	6	9	12(10.2~13.8)	250	2.5	20	0.5	4400
MVS1210B150L	8	11	15(12.75~17.25)	250	2.5	25	0.6	3520
MVS1210B180L	11	14	18(15.3~20.7)	250	2.5	30	0.7	3260
MVS1210B240K	14	18	24(21.6~26.4)	250	2.5	38	0.8	1950
MVS1210B270K	17	22	27(24.3~29.7)	250	2.5	44	1.0	1720
MVS1210B330K	20	26	33(29.7~36.3)	250	2.5	54	1.2	1090
MVS1210B390K	25	30	39(35.1~42.9)	250	2.5	65	1.4	920
MVS1210B470K	30	38	47(42.3~51.7)	250	2.5	77	1.6	780
MVS1210B560K	35	45	56(50.4~61.6)	250	2.5	90	2.0	470
MVS1210B680K	40	56	68(61.2~74.8)	250	2.5	110	2.3	390
MVS1210B820K	50	65	82(73.8~90.2)	250	2.5	135	1.2	320
MVS1210B101K	60	85	100(90~110)	200	2.5	165	1.4	220

Metal Oxide Varistors

Surface Mount



MVS Series

MERITEK

SPECIFICATIONS (1812, 2220)

Part No.	Working Voltage (MAX)		Breakdown Voltage	Peak Current (MAX)	Clamping Voltage (MAX)		Energy Absorption (MAX)	Typical Capacitance (ref.)
	AC (V _{RMS})	DC (V)			1mA (V)	8/20 μ s (A)		
MVS1812B120L	6	9	12(10.2~13.8)	500	5	20	0.9	9150
MVS1812B150L	8	11	15(12.75~17.25)	500	5	25	1.2	7320
MVS1812B180L	11	14	18(15.3~20.7)	500	5	30	1.4	6100
MVS1812B240K	14	18	24(21.6~26.4)	500	5	38	1.7	3930
MVS1812B270K	17	22	27(24.3~29.7)	500	5	44	2.0	3500
MVS1812B330K	20	26	33(29.7~36.3)	500	5	54	2.5	2900
MVS1812B390K	25	30	39(35.1~42.9)	500	5	65	2.9	2500
MVS1812B470K	30	38	47(42.3~51.7)	500	5	77	3.5	2200
MVS1812B560K	35	45	56(50.4~61.6)	500	5	90	4.2	1950
MVS1812B680K	40	56	68(61.2~74.8)	500	5	110	4.8	1650
MVS1812B820K	50	65	82(73.8~90.2)	400	5	135	4.5	1060
MVS2220B120L	6	9	12(10.2~13.8)	1000	10	20	1.9	36500
MVS2220B150L	8	11	15(12.75~17.25)	1000	10	25	2.3	18400
MVS2220B180L	11	14	18(15.3~20.7)	1000	10	30	2.7	15300
MVS2220B240K	14	18	24(21.6~26.4)	1000	10	38	3.1	11800
MVS2220B270K	17	22	27(24.3~29.7)	1000	10	44	3.8	10400
MVS2220B330K	20	26	33(29.7~36.3)	1000	10	54	4.3	8900
MVS2220B390K	25	30	39(35.1~42.9)	1000	10	65	5.5	7500
MVS2220B470K	30	38	47(42.3~51.7)	1000	10	77	6.3	4600
MVS2220B560K	35	45	56(50.4~61.6)	1000	10	90	7.7	4000
MVS2220B680K	40	56	68(61.2~74.8)	1000	10	110	8.8	3500
MVS2220B820K	50	65	82(73.8~90.2)	800	10	135	5.6	2850

Metal Oxide Varistors

Surface Mount



MVS Series

MERITEK

SPECIFICATIONS (3220)

Part No.	Working Voltage (MAX)		Breakdown Voltage	Peak Current (MAX)	Clamping Voltage (MAX)		Energy Absorption (MAX)	Typical Capacitance (ref.)
	AC (V _{RMS})	DC (V)			1mA (V)	8/20μs (A)		
MVS3220B180L	11	14	18(15.3~20.7)	250	5	40	0.8	3300
MVS3220B220L	14	18	22(18.7~25.3)	250	5	46	0.8	1750
MVS3220B270L	17	22	27(22.95~31.05)	250	5	56	1.0	1500
MVS3220B330L	20	26	33(28.05~37.95)	250	5	67	1.2	1200
MVS3220B390K	25	31	39(35.1~42.9)	250	5	76	1.4	820
MVS3220B470K	30	38	47(42.3~51.7)	250	5	90	1.8	660
MVS3220B560K	35	45	56(50.4~61.6)	250	5	106	2.3	530
MVS3220B680K	40	56	68(61.2~74.8)	250	5	124	3.0	360
MVS3220B820K	50	65	82(74~90)	500	10	135	4.0	250
MVS3220B101K	65	85	100(90~110)	500	10	165	5.0	225
MVS3220B121K	75	102	120(108~132)	500	10	198	6.0	200
MVS3220B151K	95	127	150(135~165)	500	10	248	8.0	150
MVS3220B181K	115	153	180(162~198)	500	10	292	12.0	110
MVS3220B201K	130	175	200(180~220)	500	10	340	13.0	100
MVS3220B221K	140	180	220(198~242)	500	10	356	14.0	94
MVS3220B241K	150	200	240(216~264)	500	10	390	15.0	86
MVS3220B271K	175	225	270(243~297)	500	10	450	16.0	76
MVS3220B301K	190	250	300(270~330)	500	10	495	17.0	64
MVS3220B331K	210	275	330(297~363)	500	10	545	18.0	52
MVS3220B361K	230	300	360(324~396)	500	10	593	19.0	45
MVS3220B391K	250	330	390(351~429)	500	10	647	20.0	42
MVS3220B431K	275	369	430(387~473)	450	10	705	19.0	39
MVS3220B471K	300	385	470(423~517)	400	10	775	18.0	35

Metal Oxide Varistors

Surface Mount



MVS Series

MERITEK

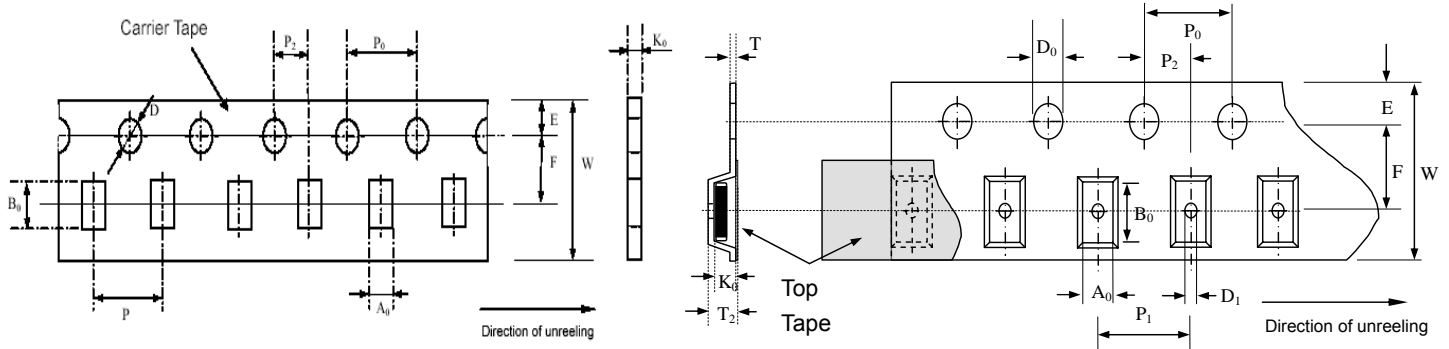
SPECIFICATIONS (High Surge)

Part No.	Working Voltage (MAX)		Breakdown Voltage	Peak Current (MAX)	Clamping Voltage (MAX)		Energy Absorption (MAX)	Typical Capacitance (ref.)
	Condition (Unit)	AC (V _{RMS})			DC (V)	1mA (V _{RMS})		
MVS1206B180L-S	11	14	18(15.3~20.7)	200	1	30	0.5	1500
MVS1206B240K-S	14	18	24(21.6~27)	200	1	39	0.5	1160
MVS1206B270K-S	17	22	27(24.3~29.8)	200	1	44	0.6	1080
MVS1206B330K-S	20	26	33(29.7~36.3)	200	1	54	0.7	680
MVS1206B390K-S	25	30	39(35.1~42.9)	200	1	65	1.0	620
MVS1206B470K-S	30	38	47(42.3~51.7)	200	1	77	1.1	550
MVS1206B560K-S	35	45	56(50.4~61.6)	200	1	90	0.8	400
MVS1210B150L-S	8	11	15(12.75~17.25)	400	2.5	25	1.0	4050
MVS1210B180L-S	11	14	18(15.3~20.7)	400	2.5	30	1.2	3860
MVS1210B240K-S	14	18	24(21.6~27.0)	400	2.5	39	1.4	2380
MVS1210B270K-S	17	22	27(24.3~29.8)	400	2.5	44	1.7	2100
MVS1210B330K-S	20	26	33(29.7~36.3)	400	2.5	54	1.9	1400
MVS1210B390K-S	25	30	39(35.1~42.9)	400	2.5	65	1.7	1180
MVS1210B470K-S	30	38	47(42.3~51.7)	400	2.5	77	2.0	1000
MVS1210B560K-S	35	45	56(50.4~61.6)	400	2.5	90	2.0	660
MVS1812B180L-S	11	14	18(15.3~20.7)	800	5	30	1.9	7030
MVS1812B240K-S	14	18	24(21.6~27.0)	800	5	38	2.3	4650
MVS1812B270K-S	17	22	27(24.3~29.8)	800	5	44	2.7	4150
MVS1812B330K-S	20	26	33(29.7~36.3)	800	5	54	3.0	3400
MVS1812B390K-S	25	30	39(35.1~42.9)	800	5	65	3.7	2950
MVS1812B470K-S	30	38	47(42.3~51.7)	800	5	77	4.2	2550
MVS1812B560K-S	35	45	56(50.4~61.6)	800	5	90	4.2	2400
MVS2220B180L-S	11	14	18(15.3~20.7)	1200	10	30	5.4	17000
MVS2220B240K-S	14	18	24(21.6~27.0)	1200	10	39	5.8	13600
MVS2220B270K-S	17	22	27(24.3~29.8)	1200	10	44	7.2	12000
MVS2220B330K-S	20	26	33(29.7~36.3)	1200	10	54	7.8	10500
MVS2220B390K-S	25	30	39(35.1~42.9)	1200	10	65	9.6	8900
MVS2220B470K-S	30	38	47(42.3~51.7)	1200	10	77	12.0	5700



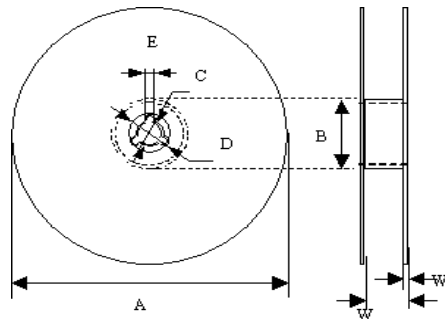
Surface Mount

PACKAGE/TAPE DIMENSIONS



Symbol	A ₀ ±0.10	B ₀ ±0.10	K ₀ ±0.10	T ±0.05	T ₂ ±0.05	D ₀ +0.10 -0.00	D ₁ ±0.05	P ₁ ±0.10	P ₂ ±0.05	P ₀ ±0.05	W ±0.20	E ±0.10	F ±0.05
0402	0.85	1.25	0.65	0.22	0.87	1.50	1.00	3.00	2.00	4.00	8.00	1.75	3.50
0603	1.08	1.88	0.95	0.22	1.17	1.50	1.00	4.00	2.00	4.00	8.00	1.75	3.50
0805	1.42	2.30	1.04	0.22	1.26	1.50	1.00	4.00	2.00	4.00	8.00	1.75	3.50
1206	1.88	3.50	1.27	0.22	1.49	1.50	1.00	4.00	2.00	4.00	8.00	1.75	3.50
1210	2.78	3.46	1.55	0.22	1.77	1.50	1.00	4.00	2.00	4.00	8.00	1.75	3.50
1812	3.66	4.95	1.74	0.25	1.99	1.50	1.50	8.00	2.00	4.00	12.00	1.75	5.50
2220	5.10	5.97	2.80	0.25	3.05	1.50	1.50	8.00	2.00	4.00	12.00	1.75	5.50
3220	5.50	8.50	2.80	0.30	3.50	1.50	1.50	8.00	2.00	4.00	16.00	1.75	7.50

REEL DIMENSIONS



Symbol	A	B	C	D	E	W	W ₁
0402	178.0±1.0	60.0±0.5	13.0±0.2	21.0±0.2	2.0±0.5	9.0±0.50	1.5±0.15
0603	178.0±1.0	60.0±0.5	13.0±0.2	21.0±0.2	2.0±0.5	9.0±0.50	1.5±0.15
0805	178.0±1.0	60.0±0.5	13.0±0.2	21.0±0.2	2.0±0.5	9.0±0.50	1.5±0.15
1206	178.0±1.0	60.0±0.5	13.0±0.2	21.0±0.2	2.0±0.5	9.0±0.50	1.5±0.15
1210	178.0±1.0	60.0±0.5	13.0±0.2	21.0±0.2	2.0±0.5	9.0±0.50	1.5±0.15
1812	178.0±1.0	60.0±0.5	13.5±0.1	21.0±0.2	2.0±0.5	13.6±0.2	1.5±0.15
2220/3220	178.0±1.0	60.0±0.5	13.5±0.1	21.0±0.2	2.0±0.5	13.6±0.2	1.5±0.15

Type	0402	0603	0805	1206	1210	1812	2220/3220
pcs/reel	10000	4000	3000	3000	2000	1000	1000