

Power Inductor

Flat Wire Type 35x34mm

PIF-33157S Series

MERITEK

FEATURE

- SMD Version
- Low Core Loss and High Efficiency Performance
- Closed Magnetic Path for Low Leakage Flux
- Low DCR with Flat Wire Design
- Compliant with RoHS and Halogen Free
- Application: DC/DC Converter in Power Regulation System, PV Inverters



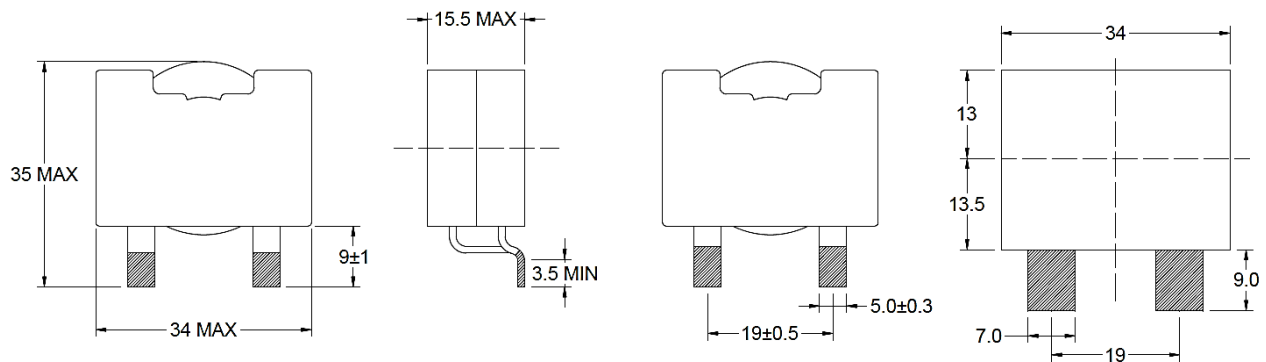
ELECTRICAL CHARACTERISTICS

Part Number	Inductance $\pm 10\%$ (μH)	DCR $\pm 10\%$ ($\text{m}\Omega$)	Temperature Rise Current (A)	Saturation Current (A)		
				At 25°C	At 125°C	At 160°C
PIF2R2K33157S	2.2	0.83	55	>90	>80	L at 69ADC $\geq 1.5\mu\text{H}$
PIF3R5K33157S	3.5	1.25	50	>80	L at 72ADC $\geq 2.5\mu\text{H}$	L at 57ADC $\geq 2.4\mu\text{H}$
PIF6R5K33157S	6.5	1.25	46	51	L at 41ADC $\geq 4.6\mu\text{H}$	L at 32ADC $\geq 4.5\mu\text{H}$
PIF9R0K33157S	9.0	3.00	36	60	L at 46ADC $\geq 6.5\mu\text{H}$	L at 36ADC $\geq 6.3\mu\text{H}$

Note:

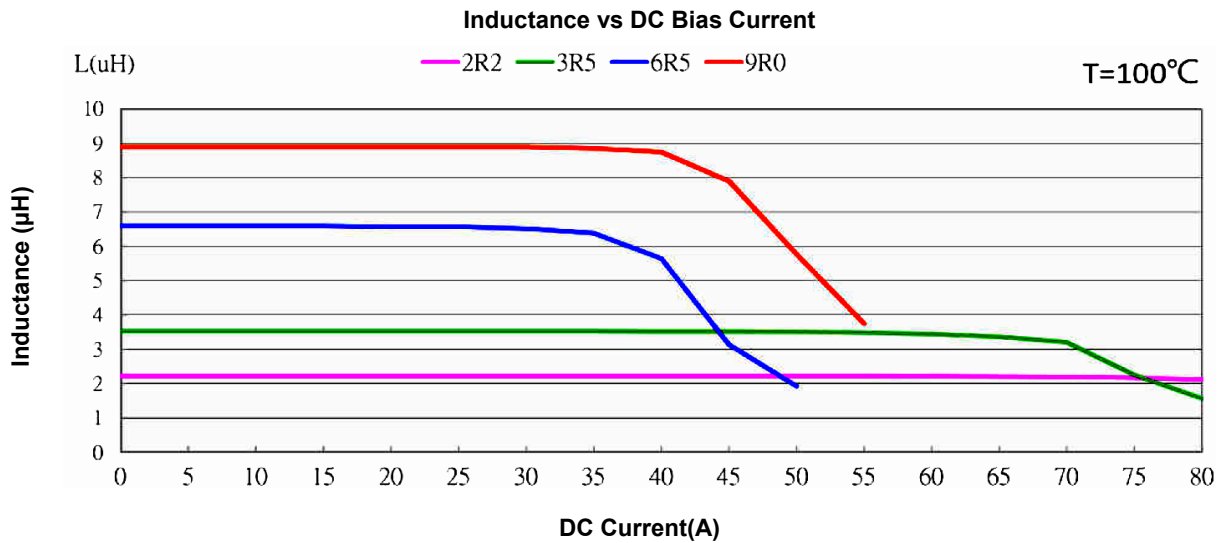
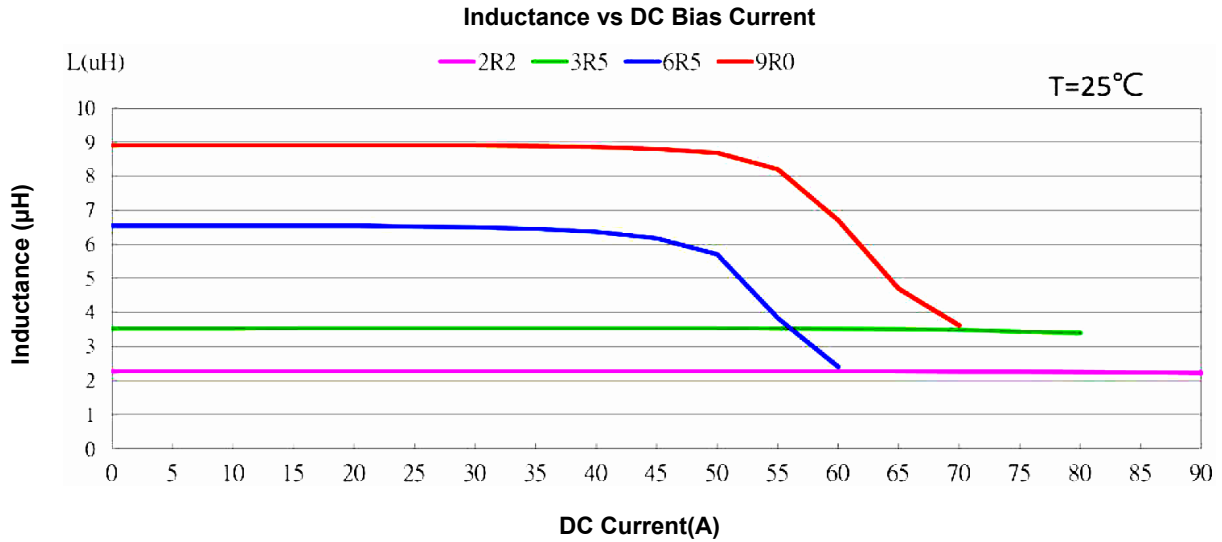
1. Test frequency: 100 KHZ, 0.1Vrms.
2. $\Delta T=50^\circ\text{C}$ approximately under the temperature rise current
3. The saturation current indicates the value of DC current is approximately 30% lower than its initial value of inductance.
4. Operation temperature range $-40^\circ\text{C} \sim 125^\circ\text{C}$
5. Storage time: The recommendation storage time of inductor is maximum 12 months, and don't suggest to use the parts over 12 months.

DIMENSIONS

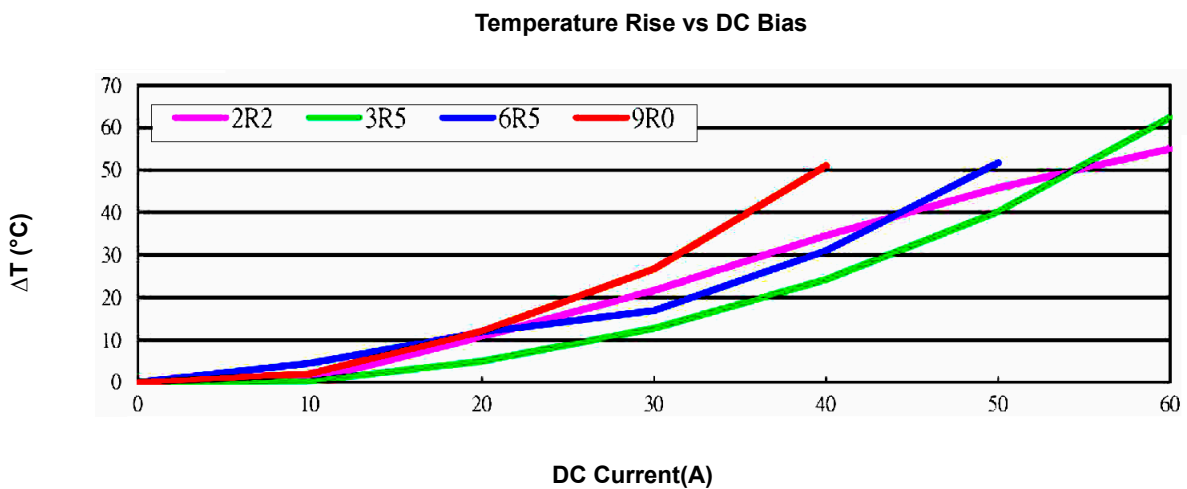
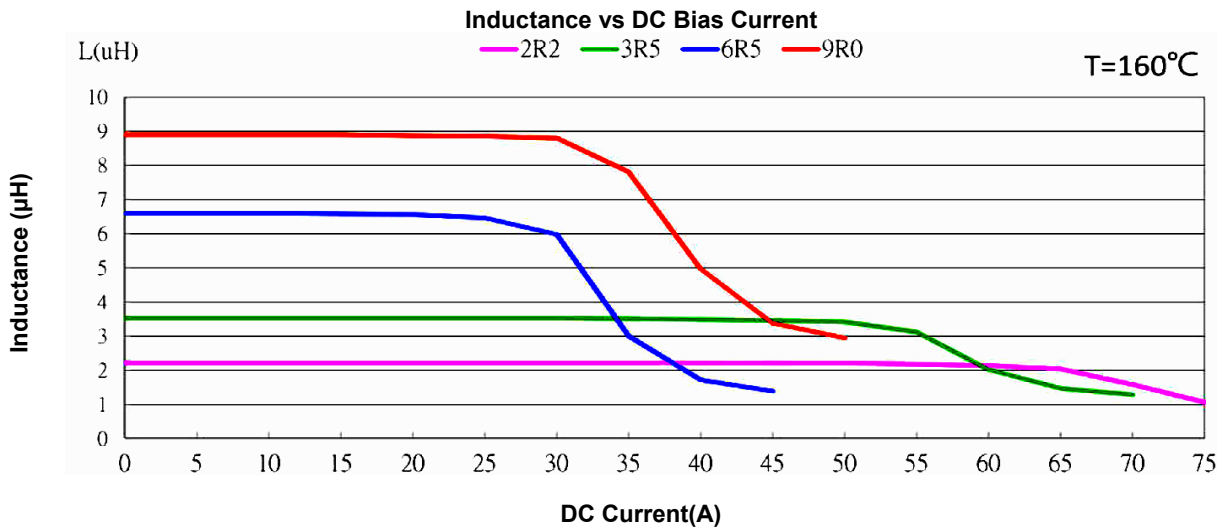


Unit: mm

CHARACTERISTICS CURVE



CHARACTERISTICS CURVE



PART NUMBERING SYSTEM

PIF **2R2K** **3315** **7S**
 (1) (2) (3) (4)

No	Item	Code	Description
(1)	Product Code	PIF	Power Inductor Series, Flat Wire type
(2)	Inductance	2R2K	2R2: 2.20uH ± 10% (K) 1R2: 1.2uH, 2R0: 2.0uH
(3)	Size Code	3315	35.0 x 15.5mm L x T (mm)
(4)	Series Code	7S	SMD 2T High Current Series

*Specifications subject to change without notice.