

EMI Suppression Capacitors X1/Y2 Class 480VAC

ME1XY-48 Series

MERITEK

FEATURE

- Self-Healing Property
- Dielectric: Metallized Polypropylene Film
- Winding: Non-Inductive Type
- Over Voltage Stress Withstanding
- Flammability Classification 94V-0
- UL/cUL Safety Approved: Certification No: E197475



PART NUMBERING SYSTEM

ME1XY 223 K 480V xxx
(1) (2) (3) (4) (5)



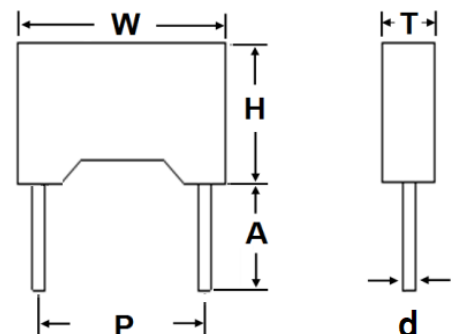
No	Item	Digit	Description	Reference
(1)	Meritek Series	ME1XY	EMI Suppression Capacitors	X1/Y2 Class Safety Film Capacitor
(2)	Capacitance	223	223: 2200pF	First two digits: Significant, Third: Multiplier
(3)	Tolerance	K	K: ±10%	±5% (J), ±20% (M)
(4)	Rated Voltage	480V	48: 480VAC	at 50~60Hz
(5)	Internal Code	xxx	Pitch or Internal control code	Internal Control or project reference

SPECIFICATIONS

Item	Characteristic	
Operating Temperature Range	-40°C ~ +110°C	
Rated Voltage, Climate Category	480VAC at 50~60Hz,	40/110/56/B
Capacitance, Tolerance	0.00047µF ~ 4.7µF	±3% (I), ±5% (J), ±10% (K), ±20% (M)
Dissipation Factor (tan δ)	≤0.1%	at 1KHz ±2%, ≤1.0 _V RMS
Insulation resistance Change Time: 60s ±5s	≥ 15,000MΩ (C≤0.33µF)	≥ 5,000MΩ*µF/C (C>0.33µF)
Withstanding Voltage	Between Terminals	Between Terminals and Case
	2KV _{AC} for 2s, or 4KV _{DC} for 2s	2*Ur+1.5KV _{AC} for 2~5s, Min 2KV _{AC}

DIMENSION

P (mm)	d (mm)	W, H, T (mm)
7.5	0.6	See Table Attached
10.0	0.6	
15.0	0.6	
22.5	0.8	
27.5	0.8	
32.5	0.8	
37.5	1.0	
47.5	1.0	
51.5	1.0	



Note:

1. Standard lead length A: 15mm min.
2. Contact Meritek for other available options for lead forming or assembly

EMI Suppression Capacitors X1/Y2 Class 480VAC

ME1XY-48 Series

MERITEK

ELECTRICAL SPECIFICATION – 480VAC

Part Number	Cap Code	Cap	Tol	Volt	W	H	T	P	d	Safety
		(uF)	(%)	(V _{AC})	(mm)	(mm)	(mm)	(mm)	(mm)	Compliance
ME1XY471□4875	471	0.00047	I,J,K,M	480	10.5	9.0	4.0	7.5	0.6	UL,cUL,ENEC
ME1XY471□4810	471	0.00047	I,J,K,M	480	13.0	11.0	5.0	10.0	0.6	UL,cUL,ENEC
ME1XY471□4815	471	0.00047	I,J,K,M	480	18.0	11.0	5.0	15.0	0.6	UL,cUL,ENEC
ME1XY561□4875	561	0.00056	I,J,K,M	480	10.5	9.0	4.0	7.5	0.6	UL,cUL,ENEC
ME1XY561□4810	561	0.00056	I,J,K,M	480	13.0	11.0	5.0	10.0	0.6	UL,cUL,ENEC
ME1XY561□4815	561	0.00056	I,J,K,M	480	18.0	11.0	5.0	15.0	0.6	UL,cUL,ENEC
ME1XY681□4875	681	0.00068	I,J,K,M	480	10.5	9.0	4.0	7.5	0.6	UL,cUL,ENEC
ME1XY681□4810	681	0.00068	I,J,K,M	480	13.0	11.0	5.0	10.0	0.6	UL,cUL,ENEC
ME1XY681□4815	681	0.00068	I,J,K,M	480	18.0	11.0	5.0	15.0	0.6	UL,cUL,ENEC
ME1XY821□4875	821	0.00082	I,J,K,M	480	10.5	9.0	4.0	7.5	0.6	UL,cUL,ENEC
ME1XY821□4810	821	0.00082	I,J,K,M	480	13.0	11.0	5.0	10.0	0.6	UL,cUL,ENEC
ME1XY821□4815	821	0.00082	I,J,K,M	480	18.0	11.0	5.0	15.0	0.6	UL,cUL,ENEC
ME1XY102□4875	102	0.0010	I,J,K,M	480	10.5	9.0	4.0	7.5	0.6	UL,cUL,ENEC
ME1XY102□4810A	102	0.0010	I,J,K,M	480	13.0	9.0	4.0	10.0	0.6	UL,cUL,ENEC
ME1XY102□4810B	102	0.0010	I,J,K,M	480	13.0	11.0	5.0	10.0	0.6	UL,cUL,ENEC
ME1XY102□4815	102	0.0010	I,J,K,M	480	18.0	11.0	5.0	15.0	0.6	UL,cUL,ENEC
ME1XY122□4875	122	0.0012	I,J,K,M	480	10.5	9.0	4.0	7.5	0.6	UL,cUL,ENEC
ME1XY122□4810A	122	0.0012	I,J,K,M	480	13.0	9.0	4.0	10.0	0.6	UL,cUL,ENEC
ME1XY122□4810B	122	0.0012	I,J,K,M	480	13.0	11.0	5.0	10.0	0.6	UL,cUL,ENEC
ME1XY152□4875	152	0.0015	I,J,K,M	480	10.5	9.0	4.0	7.5	0.6	UL,cUL,ENEC
ME1XY152□4810A	152	0.0015	I,J,K,M	480	13.0	9.0	4.0	10.0	0.6	UL,cUL,ENEC
ME1XY152□4810B	152	0.0015	I,J,K,M	480	13.0	11.0	5.0	10.0	0.6	UL,cUL,ENEC
ME1XY152□4815	152	0.0015	I,J,K,M	480	18.0	11.0	5.0	15.0	0.6	UL,cUL,ENEC
ME1XY182□4875	182	0.0018	I,J,K,M	480	10.5	9.0	4.0	7.5	0.6	UL,cUL,ENEC
ME1XY182□4810A	182	0.0018	I,J,K,M	480	13.0	9.0	4.0	10.0	0.6	UL,cUL,ENEC
ME1XY182□4810B	182	0.0018	I,J,K,M	480	13.0	11.0	5.0	10.0	0.6	UL,cUL,ENEC
ME1XY222□4875A	222	0.0022	I,J,K,M	480	10.5	9.0	4.0	7.5	0.6	UL,cUL,ENEC
ME1XY222□4875B	222	0.0022	I,J,K,M	480	10.5	11.0	5.0	7.5	0.6	UL,cUL,ENEC
ME1XY222□4810A	222	0.0022	I,J,K,M	480	13.0	9.0	4.0	10.0	0.6	UL,cUL,ENEC
ME1XY222□4810B	222	0.0022	I,J,K,M	480	13.0	11.0	5.0	10.0	0.6	UL,cUL,ENEC
ME1XY222□4815A	222	0.0022	I,J,K,M	480	17.5	9.5	5.0	15.0	0.6	UL,cUL,ENEC
ME1XY222□4815B	222	0.0022	I,J,K,M	480	18.0	11.0	5.0	15.0	0.6	UL,cUL,ENEC
ME1XY222□4875A	222	0.0027	I,J,K,M	480	10.5	9.0	4.0	7.5	0.6	UL,cUL,ENEC
ME1XY272□4875B	272	0.0027	I,J,K,M	480	10.5	11.0	5.0	7.5	0.6	UL,cUL,ENEC
ME1XY272□4810A	272	0.0027	I,J,K,M	480	13.0	9.0	4.0	10.0	0.6	UL,cUL,ENEC

Note: 1. □: denotes tolerance code

EMI Suppression Capacitors X1/Y2 Class 480VAC

ME1XY-48 Series

MERITEK

ELECTRICAL SPECIFICATION – 480VAC

Part Number	Cap Code	Cap	Tol	Volt	W	H	T	P	d	Safety
		(uF)	(%)	(V _{AC})	(mm)	(mm)	(mm)	(mm)	(mm)	Compliance
ME1XY272□4810B	272	0.0027	I,J,K,M	480	13.0	11.0	5.0	10.0	0.6	UL,cUL,ENEC
ME1XY272□4815A	272	0.0027	I,J,K,M	480	17.5	9.5	5.0	15.0	0.6	UL,cUL,ENEC
ME1XY272□4815B	272	0.0027	I,J,K,M	480	18.0	11.0	5.0	15.0	0.6	UL,cUL,ENEC
ME1XY332□4875	332	0.0033	I,J,K,M	480	10.5	11.0	5.0	7.5	0.6	UL,cUL,ENEC
ME1XY332□4810A	332	0.0033	I,J,K,M	480	13.0	9.0	4.0	10.0	0.6	UL,cUL,ENEC
ME1XY332□4810B	332	0.0033	I,J,K,M	480	13.0	11.0	5.0	10.0	0.6	UL,cUL,ENEC
ME1XY332□4815A	332	0.0033	I,J,K,M	480	17.5	9.5	5.0	15.0	0.6	UL,cUL,ENEC
ME1XY332□4815B	332	0.0033	I,J,K,M	480	18.0	11.0	5.0	15.0	0.6	UL,cUL,ENEC
ME1XY392□4875	392	0.0039	I,J,K,M	480	10.5	11.0	5.0	7.5	0.6	UL,cUL,ENEC
ME1XY392□4810A	392	0.0039	I,J,K,M	480	13.0	9.0	4.0	10.0	0.6	UL,cUL,ENEC
ME1XY392□4810B	392	0.0039	I,J,K,M	480	13.0	11.0	5.0	10.0	0.6	UL,cUL,ENEC
ME1XY392□4815A	392	0.0039	I,J,K,M	480	17.5	9.5	5.0	15.0	0.6	UL,cUL,ENEC
ME1XY392□4815B	392	0.0039	I,J,K,M	480	18.0	11.0	5.0	15.0	0.6	UL,cUL,ENEC
ME1XY472□4875	472	0.0047	I,J,K,M	480	10.5	11.0	5.0	7.5	0.6	UL,cUL,ENEC
ME1XY472□4810	472	0.0047	I,J,K,M	480	13.0	11.0	5.0	10.0	0.6	UL,cUL,ENEC
ME1XY472□4815A	472	0.0047	I,J,K,M	480	17.5	9.5	5.0	15.0	0.6	UL,cUL,ENEC
ME1XY472□4815B	472	0.0047	I,J,K,M	480	18.0	11.0	5.0	15.0	0.6	UL,cUL,ENEC
ME1XY562□4875	562	0.0056	I,J,K,M	480	10.5	11.0	5.0	7.5	0.6	UL,cUL,ENEC
ME1XY562□4810	562	0.0056	I,J,K,M	480	13.0	11.0	5.0	10.0	0.6	UL,cUL,ENEC
ME1XY562□4815A	562	0.0056	I,J,K,M	480	17.5	9.5	5.0	15.0	0.6	UL,cUL,ENEC
ME1XY562□4815B	562	0.0056	I,J,K,M	480	18.0	11.0	5.0	15.0	0.6	UL,cUL,ENEC
ME1XY682□4810	682	0.0068	I,J,K,M	480	13.0	12.0	6.0	10.0	0.6	UL,cUL,ENEC
ME1XY682□4815A	682	0.0068	I,J,K,M	480	17.5	9.5	5.0	15.0	0.6	UL,cUL,ENEC
ME1XY682□4815B	682	0.0068	I,J,K,M	480	18.0	11.0	5.0	15.0	0.6	UL,cUL,ENEC
ME1XY822□4810	822	0.0082	I,J,K,M	480	13.0	12.0	6.0	10.0	0.6	UL,cUL,ENEC
ME1XY822□4815A	822	0.0082	I,J,K,M	480	17.5	9.5	5.0	15.0	0.6	UL,cUL,ENEC
ME1XY822□4815B	822	0.0082	I,J,K,M	480	18.0	11.0	5.0	15.0	0.6	UL,cUL,ENEC
ME1XY103□4810	103	0.010	I,J,K,M	480	13.0	12.0	6.0	10.0	0.6	UL,cUL,ENEC
ME1XY103□4815A	103	0.010	I,J,K,M	480	17.5	9.5	5.0	15.0	0.6	UL,cUL,ENEC
ME1XY103□4815B	103	0.010	I,J,K,M	480	18.0	11.0	5.0	15.0	0.6	UL,cUL,ENEC
ME1XY123□4810	123	0.012	I,J,K,M	480	13.0	12.0	6.0	10.0	0.6	UL,cUL,ENEC
ME1XY123□4815	123	0.012	I,J,K,M	480	18.0	11.0	5.0	15.0	0.6	UL,cUL,ENEC
ME1XY153□4810	153	0.015	I,J,K,M	480	13.0	12.0	6.0	10.0	0.6	UL,cUL,ENEC
ME1XY153□4815	153	0.015	I,J,K,M	480	18.0	11.0	5.0	15.0	0.6	UL,cUL,ENEC
ME1XY183□4815	183	0.018	I,J,K,M	480	18.0	11.0	5.0	15.0	0.6	UL,cUL,ENEC

Note: 1. □: denotes tolerance code

EMI Suppression Capacitors X1/Y2 Class 480VAC

ME1XY-48 Series

MERITEK

ELECTRICAL SPECIFICATION – 480VAC

Part Number	Cap Code	Cap	Tol	Volt	W	H	T	P	d	Safety
		(uF)	(%)	(V _{AC})	(mm)	(mm)	(mm)	(mm)	(mm)	Compliance
ME1XY223□4810	223	0.022	I,J,K,M	480	13.0	13.0	7.0	10.0	0.6	UL,cUL,ENEC
ME1XY223□4815	223	0.022	I,J,K,M	480	17.5	11.0	5.5	15.0	0.6	UL,cUL,ENEC
ME1XY253□4815	253	0.025	I,J,K,M	480	18.0	12.0	6.0	15.0	0.6	UL,cUL,ENEC
ME1XY273□4810	273	0.027	I,J,K,M	480	13.0	14.0	8.0	10.0	0.6	UL,cUL,ENEC
ME1XY273□4815A	273	0.027	I,J,K,M	480	17.5	11.0	5.5	15.0	0.6	UL,cUL,ENEC
ME1XY273□4815B	273	0.027	I,J,K,M	480	18.0	12.0	6.0	15.0	0.6	UL,cUL,ENEC
ME1XY333□4810	333	0.033	I,J,K,M	480	13.0	14.0	8.0	10.0	0.6	UL,cUL,ENEC
ME1XY333□4815	333	0.033	I,J,K,M	480	18.0	12.0	6.0	15.0	0.6	UL,cUL,ENEC
ME1XY333□4822	333	0.033	I,J,K,M	480	25.0	14.5	6.0	22.5	0.8	UL,cUL,ENEC
ME1XY393□4815	393	0.039	I,J,K,M	480	18.0	13.5	6.0	15.0	0.6	UL,cUL,ENEC
ME1XY393□4822	393	0.039	I,J,K,M	480	25.0	14.5	6.0	22.5	0.8	UL,cUL,ENEC
ME1XY473□4815	473	0.047	I,J,K,M	480	18.0	13.5	6.0	15.0	0.6	UL,cUL,ENEC
ME1XY473□4822	473	0.047	I,J,K,M	480	25.0	14.5	6.0	22.5	0.8	UL,cUL,ENEC
ME1XY563□4815	563	0.056	I,J,K,M	480	17.0	15.5	7.5	15.0	0.6	UL,cUL,ENEC
ME1XY563□4822	563	0.056	I,J,K,M	480	25.0	14.5	6.0	22.5	0.8	UL,cUL,ENEC
ME1XY683□4815	683	0.068	I,J,K,M	480	17.0	15.5	7.5	15.0	0.6	UL,cUL,ENEC
ME1XY683□4822A	683	0.068	M	480	25.0	14.5	6.0	22.5	0.8	UL,cUL,ENEC
ME1XY683□4822B	683	0.068	I,J,K,M	480	26.5	16.5	7.0	22.5	0.8	UL,cUL,ENEC
ME1XY823□4815	823	0.082	I,J,K,M	480	17.0	16.5	9.5	15.0	0.6	UL,cUL,ENEC
ME1XY823□4822	823	0.082	I,J,K,M	480	26.5	16.5	7.0	22.5	0.8	UL,cUL,ENEC
ME1XY104□4815	104	0.10	I,J,K,M	480	17.0	16.5	9.5	15.0	0.6	UL,cUL,ENEC
ME1XY104□4822A	104	0.10	I,J,K,M	480	26.5	16.5	7.0	22.5	0.8	UL,cUL,ENEC
ME1XY104□4822B	104	0.10	I,J,K,M	480	26.5	29.5	14.5	22.5	0.8	UL,cUL,ENEC
ME1XY104□4827	104	0.10	I,J,K,M	480	31.5	16.5	7.5	27.5	0.8	UL,cUL,ENEC
ME1XY124□4822	124	0.12	I,J,K,M	480	26.5	17.0	8.5	22.5	0.8	UL,cUL,ENEC
ME1XY124□4827	124	0.12	I,J,K,M	480	31.0	18.0	9.0	27.5	0.8	UL,cUL,ENEC
ME1XY154□4822	154	0.15	I,J,K,M	480	26.5	19.0	10.0	22.5	0.8	UL,cUL,ENEC
ME1XY154□4827A	154	0.15	I,J,K,M	480	31.0	18.0	9.0	27.5	0.8	UL,cUL,ENEC
ME1XY154□4827B	154	0.15	I,J,K,M	480	32.0	12.0	18.0	27.5	0.8	UL,cUL,ENEC
ME1XY184□4822	184	0.18	I,J,K,M	480	26.0	20.0	11.0	22.5	0.8	UL,cUL,ENEC
ME1XY184□4827	184	0.18	I,J,K,M	480	31.5	20.0	11.0	27.5	0.8	UL,cUL,ENEC
ME1XY224□4822	224	0.22	I,J,K,M	480	26.5	21.5	12.0	22.5	0.8	UL,cUL,ENEC
ME1XY224□4827A	224	0.22	I,J,K,M	480	30.0	21.0	12.0	27.5	0.8	UL,cUL,ENEC
ME1XY224□4827B	224	0.22	I,J,K,M	480	31.5	20.0	11.0	27.5	0.8	UL,cUL,ENEC
ME1XY224□4827C	224	0.22	M	480	32.0	12.0	18.0	27.5	0.8	UL,cUL,ENEC

Note: 1. □: denotes tolerance code

EMI Suppression Capacitors X1/Y2 Class 480VAC

ME1XY-48 Series

MERITEK

ELECTRICAL SPECIFICATION – 480VAC

Part Number	Cap Code	Cap	Tol	Volt	W	H	T	P	d	Safety
		(uF)	(%)	(V _{AC})	(mm)	(mm)	(mm)	(mm)	(mm)	Compliance
ME1XY274□4822	274	0.27	I,J,K,M	480	26.5	22.5	12.5	22.5	0.8	UL,cUL,ENEC
ME1XY274□4827A	274	0.27	M	480	31.5	20.0	11.0	27.5	0.8	UL,cUL,ENEC
ME1XY274□4827B	274	0.27	I,J,K,M	480	31.5	22.5	13.0	27.5	0.8	UL,cUL,ENEC
ME1XY334□4822A	334	0.33	I,J,K,M	480	26.0	25.0	15.0	22.5	0.8	UL,cUL,ENEC
ME1XY334□4822B	334	0.33	I,J,K,M	480	26.5	29.5	14.5	22.5	0.8	UL,cUL,ENEC
ME1XY334□4827A	334	0.33	I,J,K,M	480	31.0	24.5	15.0	27.5	0.8	UL,cUL,ENEC
ME1XY334□4827B	334	0.33	M	480	31.5	22.5	13.0	27.5	0.8	UL,cUL,ENEC
ME1XY334□4827C	334	0.33	I,J,K,M	480	31.5	25.0	14.0	27.5	0.8	UL,cUL,ENEC
ME1XY334□4827D	334	0.33	M	480	32.0	12.0	22.0	27.5	0.8	UL,cUL,ENEC
ME1XY334□4832	334	0.33	I,J,K,M	480	37.0	24.0	13.5	32.5	0.8	UL,cUL,ENEC
ME1XY334□4837	334	0.33	I,J,K,M	480	41.5	22.0	12.0	37.5	1.0	UL,cUL,ENEC
ME1XY394□4822A	394	0.39	M	480	26.0	25.0	15.0	22.5	0.8	UL,cUL,ENEC
ME1XY394□4822B	394	0.39	M	480	26.5	29.5	14.5	22.5	0.8	UL,cUL,ENEC
ME1XY394□4827A	394	0.39	I,J,K,M	480	31.0	24.5	15.0	27.5	0.8	UL,cUL,ENEC
ME1XY394□4827B	394	0.39	I,J,K,M	480	32.0	28.0	14.0	27.5	0.8	UL,cUL,ENEC
ME1XY394□4832A	394	0.39	I,J,K,M	480	37.0	24.0	13.5	32.5	0.8	UL,cUL,ENEC
ME1XY394□4832B	394	0.39	M	480	37.0	24.0	13.5	32.5	0.8	UL,cUL,ENEC
ME1XY394□4837A	394	0.39	K	480	41.0	24.0	13.0	37.5	1.0	UL,cUL,ENEC
ME1XY394□4837B	394	0.39	M	480	41.5	22.0	12.0	37.5	1.0	UL,cUL,ENEC
ME1XY394□4837C	394	0.39	I,J,K,M	480	41.5	26.0	14.5	37.5	1.0	UL,cUL,ENEC
ME1XY474□4827A	474	0.47	M	480	31.0	24.5	15.0	27.5	0.8	UL,cUL,ENEC
ME1XY474□4827B	474	0.47	I,J,K,M	480	32.0	16.0	27.5	27.5	0.8	UL,cUL,ENEC
ME1XY474□4827C	474	0.47	I,J,K,M	480	32.0	28.0	18.0	27.5	0.8	UL,cUL,ENEC
ME1XY474□4827D	474	0.47	M	480	32.0	28.0	14.0	27.5	0.8	UL,cUL,ENEC
ME1XY474□4827E	474	0.47	I,J,K,M	480	32.0	30.0	15.0	27.5	0.8	UL,cUL,ENEC
ME1XY474□4832A	474	0.47	I,J,K,M	480	37.0	24.0	13.5	32.5	0.8	UL,cUL,ENEC
ME1XY474□4832B	474	0.47	I,J,K,M	480	37.0	26.5	16.0	32.5	0.8	UL,cUL,ENEC
ME1XY474□4837A	474	0.47	I,J,K,M	480	41.0	24.0	13.0	37.5	1.0	UL,cUL,ENEC
ME1XY474□4837B	474	0.47	I,J,K,M	480	41.5	26.0	14.5	37.5	1.0	UL,cUL,ENEC
ME1XY474□4837C	474	0.47	I,J,K,M	480	42.0	15.0	24.0	37.5	1.0	UL,cUL,ENEC
ME1XY564□4827A	564	0.56	I,J,K,M	480	32.0	28.0	18.0	27.5	0.8	UL,cUL,ENEC
ME1XY564□4827B	564	0.56	I,J,K,M	480	32.0	30.0	15.0	27.5	0.8	UL,cUL,ENEC
ME1XY564□4832A	564	0.56	I,J,K,M	480	37.0	26.5	16.0	32.5	0.8	UL,cUL,ENEC
ME1XY564□4832B	564	0.56	I,J,K,M	480	37.0	28.5	18.0	32.5	0.8	UL,cUL,ENEC
ME1XY564□4837A	564	0.56	I,J,K,M	480	41.5	26.0	14.5	37.5	1.0	UL,cUL,ENEC

Note: 1. □: denotes tolerance code

EMI Suppression Capacitors X1/Y2 Class 480VAC

ME1XY-48 Series

MERITEK

ELECTRICAL SPECIFICATION – 480VAC

Part Number	Cap Code	Cap	Tol	Volt	W	H	T	P	d	Safety
		(uF)	(%)	(V _{AC})	(mm)	(mm)	(mm)	(mm)	(mm)	Compliance
ME1XY564□4837B	564	0.56	I,J,K,M	480	42.0	28.0	14.0	37.5	1.0	UL,cUL,ENEC
ME1XY684□4827A	684	0.68	I,J,K,M	480	31.5	33.0	18.0	27.5	0.8	UL,cUL,ENEC
ME1XY684□4827B	684	0.68	I,J,K,M	480	32.0	18.5	31.0	27.5	0.8	UL,cUL,ENEC
ME1XY684□4827C	684	0.68	M	480	32.0	28.0	18.0	27.5	0.8	UL,cUL,ENEC
ME1XY684□4827D	684	0.68	I,J,K,M	480	32.0	30.0	21.0	27.5	0.8	UL,cUL,ENEC
ME1XY684□4832A	684	0.68	I,J,K,M	480	35.5	31.0	20.0	32.5	0.8	UL,cUL,ENEC
ME1XY684□4832B	684	0.68	M	480	37.0	26.5	16.0	32.5	0.8	UL,cUL,ENEC
ME1XY684□4832C	684	0.68	M	480	37.0	28.5	18.0	32.5	0.8	UL,cUL,ENEC
ME1XY684□4837A	684	0.68	M	480	41.5	26.0	14.5	37.5	1.0	UL,cUL,ENEC
ME1XY684□4837B	684	0.68	I,J,K,M	480	41.5	30.0	17.0	37.5	1.0	UL,cUL,ENEC
ME1XY684□4837C	684	0.68	M	480	42.0	28.0	14.0	37.5	1.0	UL,cUL,ENEC
ME1XY824□4827A	824	0.82	M	480	31.5	33.0	18.0	27.5	0.8	UL,cUL,ENEC
ME1XY824□4827B	824	0.82	M	480	32.0	18.5	31.0	27.5	0.8	UL,cUL,ENEC
ME1XY824□4827C	824	0.82	I,J,K,M	480	32.0	37.0	22.0	27.5	0.8	UL,cUL,ENEC
ME1XY824□4832A	824	0.82	I,J,K,M	480	35.5	31.0	20.0	32.5	0.8	UL,cUL,ENEC
ME1XY824□4832B	824	0.82	I,J,K,M	480	37.0	34.0	22.0	32.5	0.8	UL,cUL,ENEC
ME1XY824□4837A	824	0.82	I,J,K,M	480	41.5	30.0	17.0	37.5	1.0	UL,cUL,ENEC
ME1XY824□4837B	824	0.82	I,J,K,M	480	42.0	19.0	24.0	37.5	1.0	UL,cUL,ENEC
ME1XY105□4827	105	1.0	I,J,K,M	480	32.0	37.0	22.0	27.5	0.8	UL,cUL,ENEC
ME1XY105□4832A	105	1.0	I,J,K,M	480	37.0	34.0	22.0	32.5	0.8	UL,cUL,ENEC
ME1XY105□4832B	105	1.0	M	480	37.0	34.0	22.0	32.5	0.8	UL,cUL,ENEC
ME1XY105□4837A	105	1.0	I,J,K,M	480	41.0	37.0	22.0	37.5	1.0	UL,cUL,ENEC
ME1XY105□4837B	105	1.0	M	480	41.5	30.0	17.0	37.5	1.0	UL,cUL,ENEC
ME1XY105□4837C	105	1.0	M	480	41.5	32.0	19.0	37.5	1.0	UL,cUL,ENEC
ME1XY105□4837D	105	1.0	I,J,K,M	480	41.5	34.0	20.5	37.5	1.0	UL,cUL,ENEC
ME1XY105□4837E	105	1.0	I,J,K,M	480	41.5	35.5	22.5	37.5	1.0	UL,cUL,ENEC
ME1XY105□4847A	105	1.0	I,J,K,M	480	51.0	27.5	17.5	47.5	1.0	UL,cUL,ENEC
ME1XY105□4847B	105	1.0	I,J,K,M	480	51.0	30.5	20.0	47.5	1.0	UL,cUL,ENEC
ME1XY125□4837	125	1.2	I,J,K,M	480	41.5	35.5	22.5	37.5	1.0	UL,cUL,ENEC
ME1XY125□4847A	125	1.2	I,J,K,M	480	51.0	30.5	20.0	47.5	1.0	UL,cUL,ENEC
ME1XY125□4847B	125	1.2	I,J,K,M	480	51.0	34.0	22.0	47.5	1.0	UL,cUL,ENEC
ME1XY125□4851	125	1.2	I,J,K,M	480	58.0	30.0	20.5	51.5	1.0	UL,cUL,ENEC
ME1XY152□4837	152	1.5	I,J,K,M	480	41.5	41.0	27.5	37.5	1.0	UL,cUL,ENEC
ME1XY152□4847A	152	1.5	I,J,K,M	480	51.0	34.0	22.0	47.5	1.0	UL,cUL,ENEC
ME1XY152□4847B	152	1.5	I,J,K,M	480	51.0	35.0	24.0	47.5	1.0	UL,cUL,ENEC

Note: 1. □: denotes tolerance code

EMI Suppression Capacitors X1/Y2 Class 480VAC

ME1XY-48 Series

MERITEK

ELECTRICAL SPECIFICATION –480VAC

Part Number	Cap Code	Cap	Tol	Volt	W	H	T	P	d	Safety
		(uF)	(%)	(V _{AC})	(mm)	(mm)	(mm)	(mm)	(mm)	Compliance
ME1XY152□4851	152	1.5	I,J,K,M	480	58.0	30.0	20.5	51.5	1.0	UL,cUL,ENEC
ME1XY185□4837A	185	1.8	I,J,K,M	480	41.5	43.0	28.0	37.5	1.0	UL,cUL,ENEC
ME1XY185□4837B	185	1.8	I,J,K,M	480	41.5	45.0	30.0	37.5	1.0	UL,cUL,ENEC
ME1XY185□4847A	185	1.8	I,J,K,M	480	51.0	35.0	24.0	47.5	1.0	UL,cUL,ENEC
ME1XY185□4847B	185	1.8	I,J,K,M	480	51.0	43.5	29.0	47.5	1.0	UL,cUL,ENEC
ME1XY185□4851	185	1.8	I,J,K,M	480	58.0	35.0	23.0	51.5	1.0	UL,cUL,ENEC
ME1XY205□4837	205	2.0	I,J,K,M	480	41.5	45.0	30.0	37.5	1.0	UL,cUL,ENEC
ME1XY205□4851	205	2.0	I,J,K,M	480	58.0	35.0	23.0	51.5	1.0	UL,cUL,ENEC
ME1XY225□4851	225	2.2	I,J,K,M	480	58.0	38.0	25.0	51.5	1.0	UL,cUL,ENEC
ME1XY255□4851	255	2.5	I,J,K,M	480	57.0	45.0	30.0	51.5	1.0	UL,cUL,ENEC
ME1XY275□4851	275	2.7	I,J,K,M	480	57.0	45.0	30.0	51.5	1.0	UL,cUL,ENEC
ME1XY305□4851	305	3.0	I,J,K,M	480	57.0	45.0	30.0	51.5	1.0	UL,cUL,ENEC
ME1XY335□4851A	335	3.3	I,J,K,M	480	57.0	30.0	44.0	51.5	1.0	UL,cUL,ENEC
ME1XY335□4851B	335	3.3	I,J,K,M	480	57.0	45.0	30.0	51.5	1.0	UL,cUL,ENEC
ME1XY395□4851	395	3.9	I,J,K,M	480	57.0	50.0	35.0	51.5	1.0	UL,cUL,ENEC
ME1XY475□4851A	475	4.7	I,J,K,M	480	57.0	50.0	35.0	51.5	1.0	UL,cUL,ENEC
ME1XY475□4851B	475	4.7	I,J,K,M	480	58.0	55.0	45.0	51.5	1.0	UL,cUL,ENEC
ME1XY475□4851C	475	4.7	I,J,K,M	480	58.0	56.5	43.0	51.5	1.0	UL,cUL,ENEC

Note: 1. □: denotes tolerance code

EMI Suppression Capacitors X1/Y2 Class 480VAC

ME1XY-48 Series

MERITEK

RELIABILTY AND TEST CONDITIONS

Item	Test Condition	Requirement																	
Capacitance	Measuring Frequency: $\pm 2\%$, Measuring Voltage: $\leq 1V_{rms}$.	Within the tolerance specified, at $+20\pm 5^{\circ}C$																	
Withstand Voltage - Between Terminals	Apply $2KV_{AC}$ for 2s or $4KV_{DC}$ for 2s	Within specified limits																	
Withstand Voltage - Between Terminals & Enclosure	Apply 2 times of rated voltage plus $1.5KV_{AC}$ for 2~5s; Min. $2KV_{AC}$	Within specified limits																	
Dissipation Factor	Measuring Frequency: $\pm 2\%$, Measuring Voltage: $\leq 1V_{rms}$.	D.F. : $\leq 0.001(0.1\%)$ at 1KHz																	
Insulation resistance	Measured at $VR=500V_{AC}$, $Vt=500V_{DC}$, $250V_{AC}\leq VR<500V_{AC}$, $Vt=500V_{DC}$; Charge Time: 60 ± 5 Sec	$Cr\leq 0.33\mu F$ $IR\geq 15,000M\Omega$ $Cr>0.33\mu F$ $IR\geq 5,000M\Omega*\mu F/C$																	
Solderability	Soldering temperature: $+235\pm 5^{\circ}C$ Immersion duration: 2 ± 0.5 sec	More than 90% of circumferential surface of lead wire shall be covered with new solder																	
Tensile Terminal Strength	Apply 1.0Kg (10N) for 10 ± 1 sec to the terminal in the axial direction and acting in a direction away from the body.	Shall be no abnormality																	
Bending Terminal Strength	Apply 0.5Kg for 2 cycles. Each cycle includes: 90° once, return to its initial position for 2~3s and then to the opposite direction once.	Shall be no abnormality																	
Damp Heat	Temperature: $+40^{\circ}C \pm 2^{\circ}C$, Relative Humidity: 90%~95% Time: 56days; After test, let rest for 1.5 ± 0.5 hr at ordinary condition before making measurements.	Appearance : No Visible Damage Withstand Voltage: Within specified limits $\Delta C/C: \leq \pm 5\%$ of the value before test DF: $\leq 0.002(0.2\%)$ Max at 1KHz IR: $\geq 50\%$ of the rated value																	
Dry Heat Resistance	Temperature: $110^{\circ}C \pm 2^{\circ}C$, Times: 16 +1/-0Hrs																		
Cold Resistance	Temperature: $-40\pm 3^{\circ}C$, Times: 2 ± 1 Hrs																		
Temperature Cycle	Test Temperature Cycle: Total 5 cycles. Each cycle includes <table border="1"> <thead> <tr> <th>Cycle</th> <th>Temperature</th> <th>Time</th> </tr> </thead> <tbody> <tr> <td>1</td> <td>$+20\pm 2^{\circ}C$</td> <td>3 min</td> </tr> <tr> <td>2</td> <td>$-40\pm 3^{\circ}C$</td> <td>30min</td> </tr> <tr> <td>3</td> <td>$+20\pm 2^{\circ}C$</td> <td>3 min</td> </tr> <tr> <td>4</td> <td>$+110\pm 2^{\circ}C$</td> <td>30min</td> </tr> <tr> <td>5</td> <td>$+20\pm 2^{\circ}C$</td> <td>3 min</td> </tr> </tbody> </table> After test, let rest for 1.5 ± 0.5 hr at ordinary condition before making measurements.		Cycle	Temperature	Time	1	$+20\pm 2^{\circ}C$	3 min	2	$-40\pm 3^{\circ}C$	30min	3	$+20\pm 2^{\circ}C$	3 min	4	$+110\pm 2^{\circ}C$	30min	5	$+20\pm 2^{\circ}C$
Cycle	Temperature	Time																	
1	$+20\pm 2^{\circ}C$	3 min																	
2	$-40\pm 3^{\circ}C$	30min																	
3	$+20\pm 2^{\circ}C$	3 min																	
4	$+110\pm 2^{\circ}C$	30min																	
5	$+20\pm 2^{\circ}C$	3 min																	
Vibration Resistance	Frequency change: 10~55~10Hz Vibration Distance: 1.5mm Test Direction: X, Y, Z Test Duration: 2+1/-0hrs each direction	Appearance : No mechanical Damage Connection: Shall be no short or open																	
Soldering Heat Resistance	Preheat Temperature: 100~120°C Preheat Duration: 60sec max Temperature increase by $3^{\circ}C/sec$ max Soldering Temperature: $+260\pm 5^{\circ}C$ Immersion Duration: 5 ± 1 sec Immersion Depth: 4 ± 0.8 mm from roots After test, allow it stay alone for 1.5 ± 0.5 hrs at ordinary condition before making measurements	Appearance: No Visible Damage Withstand Voltage: Within specified limits $\Delta C/C: \leq \pm 3\%$ of the value before test DF: $\leq 0.002(0.2\%)$ Max at 1KHz IR: $\geq 50\%$ of the rated value																	

EMI Suppression Capacitors X1/Y2 Class 480VAC

ME1XY-48 Series

MERITEK

RELIABILTY AND TEST CONDITIONS

Item	Test Condition	Requirement
Endurance	Duration: 1,000 hours, Temperature: $+110\pm 2^{\circ}\text{C}$ Voltage: 1.25 times rated voltage. Once every hour the voltage increased to 1KVrms. For 0.1sec. The test voltage is applied to each capacitor individually through a Resistor of $47\Omega\pm 5\%$.	Appearance: No Visible Damage $\Delta C/C: \leq \pm 10\%$ of the value before test DF: ≤ 0.008 Max at 1KHz; for $Cr \leq 1\mu\text{F}$ DF: ≤ 0.005 Max at 1KHz; for $Cr > 1\mu\text{F}$ IR: $\geq 50\%$ of the rated value
Humidity Resistance	Test Temperature: $-40\pm 2^{\circ}\text{C}$ Test Humidity: 87% to 93% R.H. Test Voltage: rated voltage Test Duration: 500 hours After test, allow it stay alone for 1.5 ± 0.5 hrs at ordinary condition before making measurements	Appearance: No Visible Damage Withstand Voltage: Within specified limits $\Delta C/C: \leq \pm 5\%$ of the value before test DF: ≤ 0.002 (0.2%) Max at 1KHz IR: $\geq 50\%$ of the rated value

Notes:

1. Ambient Temp: 15°C to 35°C , Relative Humidity (R.H.): 45% to 75%, Air Pressure: 86kpa to 106kpa
2. Operating Temperature: $-40\sim 110^{\circ}\text{C}$
3. Storage needs to be kept indoors at $-10\sim +40^{\circ}\text{C}$ and relative humidity of under 75% without any sudden temperature changes, direct sunlight and corrosive gas around
4. Do not apply and exceeding vibration, shock (dropping) and pressure

*Specifications subject to change without notice.