

Metallized Polypropylene Film Capacitor Box Type

PFSL Series

MERITEK

FEATURES

- Operating temperature: -40°C ~ +105°C
- Double Sided Construction
- Low Loss and Small Inherent Temperature Rise
- Negative temperature Coefficient of Capacitance
- Reference Standard: IEC 60384-16
- Flame Retardant Epoxy Resin Sealing UL94V-0



PART NUMBERING SYSTEM

PFSL 103 J 2E 75
(1) (2) (3) (4) (5)



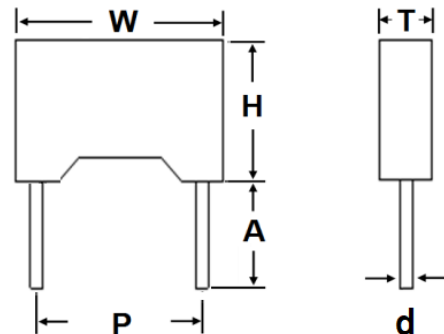
No	item	Code	Description	
(1)	Meritek Series	PFSL	Metallized Polypropylene Film Capacitor; Double Sided Box Type	
(2)	Capacitance	103	103: 0.010μF	First two digit: Significant, Third: Multiplier
(3)	Tolerance	J	J: ±5%	H: ±3%, K: ±10%
(4)	Rated Voltage	2E	2E: 250VDC	DC Voltage Code
(5)	Internal Code	75	75: 7.5mm Pitch	Internal Control or Project Reference

ELECTRICAL CHARACTERISTICS

Item	Description					
Capacitance Range	0.00022~39 μF					
Capacitance Tolerance	±3%(H), ±5%(J), ±10%(K)					
Rated DC Voltage	250V(2E)	400(2G)	630(2J)	1000(3A)	1600(3C)	2000(3D)
Maximum Continuous AC Voltage	180V	250V	400V	600V	650V	700V
Climatic Category	40/105/21					
Operating Temperature Range	-40°C~+105°C Derating ratio of rated voltage to +85 ~ +105°C: 1.25% per °C for rated voltage					
Dissipation Factor (tan δ)	≤ 0.1% at +20°C / 1KHz					
Insulation Resistance- Between Terminals	C ≤ 0.33μF			≥ 25,000MΩ		
	C > 0.33μF			≥ 7,500s (20°C, 100V,1min)		
Withstand Voltage- Between Terminals	1.6 x Rated Voltage (DC) for 5 sec.					

DIMENSION

P (mm)	d (mm)
7.5	0.6
10.0	0.6
15.0	0.8
20.0	0.8
22.5	0.8
27.5	0.8



Note:

1. WxHxT (mm) See the table below
2. Standard lead length A: 15mm min.
3. Contact Meritek for other available options for lead forming (F)

Metallized Polypropylene Film Capacitor Box Type

PFSL Series

MERITEK

DIMENSION

250VDC (180VAC)													
Cap(μF)	%	W	H	T	P	d	Cap(μF)	%	W	H	T	P	d
0.0068	H,J,K	10.0	9.0	4.0	7.5	0.6	0.18	H,J,K	18.0	13.5	7.5	15.0	0.8
0.0082	H,J,K	10.0	9.0	4.0	7.5	0.6	0.22	H,J,K	18.0	13.5	7.5	15.0	0.8
0.010	H,J,K	10.0	9.0	4.0	7.5	0.6	0.22	H,J,K	26.5	15.0	6.0	22.5	0.8
0.012	H,J,K	10.0	9.0	4.0	7.5	0.6	0.27	H,J,K	18.0	14.5	8.5	15.0	0.8
0.015	H,J,K	10.0	9.0	4.0	7.5	0.6	0.27	H,J,K	26.5	15.0	6.0	22.5	0.8
0.018	H,J,K	10.0	9.0	4.0	7.5	0.6	0.33	H,J,K	18.0	15.5	9.5	15.0	0.8
0.022	H,J,K	10.0	9.0	4.0	7.5	0.6	0.33	H,J,K	26.5	15.0	6.0	22.5	0.8
0.027	H,J,K	10.0	11.0	5.0	7.5	0.6	0.39	H,J,K	18.0	15.5	9.5	15.0	0.8
0.027	H,J,K	13.0	9.0	4.0	10.0	0.6	0.39	H,J,K	26.5	16.5	7.0	22.5	0.8
0.033	H,J,K	10.0	11.0	5.0	7.5	0.6	0.47	H,J,K	26.5	16.5	7.0	22.5	0.8
0.033	H,J,K	13.0	9.0	4.0	10.0	0.6	0.56	H,J,K	26.5	17.0	8.5	22.5	0.8
0.039	H,J,K	10.0	12.0	6.0	7.5	0.6	0.68	H,J,K	26.5	19.0	10.0	22.5	0.8
0.039	H,J,K	13.0	9.0	4.0	10.0	0.6	0.82	H,J,K	26.5	19.0	10.0	22.5	0.8
0.047	H,J,K	10.0	12.0	6.0	7.5	0.6	0.82	H,J,K	31.0	18.0	9.0	27.5	0.8
0.047	H,J,K	13.0	11.0	5.0	10.0	0.6	1.0	H,J,K	26.0	21.5	12.0	22.5	0.8
0.056	H,J,K	13.0	11.0	5.0	10.0	0.6	1.0	H,J,K	31.5	19.5	10.8	27.5	0.8
0.068	H,J,K	13.0	12.0	6.0	10.0	0.6	1.2	H,J,K	31.5	19.5	10.8	27.5	0.8
0.068	H,J,K	18.0	11.0	5.0	15.0	0.8	1.5	H,J,K	31.5	21.6	13.0	27.5	0.8
0.082	H,J,K	13.0	12.0	6.0	10.0	0.6	1.8	H,J,K	31.0	25.0	14.0	27.5	0.8
0.082	H,J,K	18.0	11.0	5.0	15.0	0.8	2.2	H,J,K	31.0	25.0	14.0	27.5	0.8
0.10	H,J,K	18.0	11.0	5.0	15.0	0.8	2.7	H,J,K	32.0	28.0	18.0	27.5	0.8
0.12	H,J,K	18.0	12.0	6.0	15.0	0.8	3.3	H,J,K	32.0	28.0	18.0	27.5	0.8
0.15	H,J,K	18.0	12.0	6.0	15.0	0.8	3.9	H,J,K	32.0	28.0	18.0	27.5	0.8

Unit: mm

Metallized Polypropylene Film Capacitor Box Type

PFSL Series

MERITEK

DIMENSION

400VDC (250VAC)													
Cap(μF)	%	W	H	T	P	d	Cap(μF)	%	W	H	T	P	d
0.0027	H,J,K	10.0	9.0	4.0	7.5	0.6	0.082	H,J,K	18.0	12.0	6.0	15.0	0.8
0.0033	H,J,K	10.0	9.0	4.0	7.5	0.6	0.10	H,J,K	18.0	13.5	7.5	15.0	0.8
0.0039	H,J,K	10.0	9.0	4.0	7.5	0.6	0.12	H,J,K	18.0	13.5	7.5	15.0	0.8
0.0047	H,J,K	10.0	9.0	4.0	7.5	0.6	0.12	H,J,K	26.5	15.0	6.0	22.5	0.8
0.0056	H,J,K	10.0	9.0	4.0	7.5	0.6	0.15	H,J,K	18.0	14.5	8.5	15.0	0.8
0.0068	H,J,K	10.0	9.0	4.0	7.5	0.6	0.15	H,J,K	26.5	15.0	6.0	22.5	0.8
0.0082	H,J,K	10.0	9.0	4.0	7.5	0.6	0.18	H,J,K	18.0	15.5	9.5	15.0	0.8
0.010	H,J,K	10.0	9.0	4.0	7.5	0.6	0.18	H,J,K	26.5	15.0	6.0	22.5	0.8
0.010	H,J,K	13.0	9.0	4.0	10.0	0.6	0.22	H,J,K	18.0	15.5	9.5	15.0	0.8
0.012	H,J,K	10.0	9.0	4.0	7.5	0.6	0.22	H,J,K	26.5	16.5	7.0	22.5	0.8
0.012	H,J,K	13.0	9.0	4.0	10.0	0.6	0.27	H,J,K	18.0	19.0	10.8	15.0	0.8
0.015	H,J,K	10.0	11.0	5.0	7.5	0.6	0.27	H,J,K	26.5	17.0	8.5	22.5	0.8
0.015	H,J,K	13.0	9.0	4.0	10.0	0.6	0.33	H,J,K	26.5	17.0	8.5	22.5	0.8
0.018	H,J,K	10.0	11.0	5.0	7.5	0.6	0.39	H,J,K	26.5	19.0	10.0	22.5	0.8
0.018	H,J,K	13.0	9.0	4.0	10.0	0.6	0.39	H,J,K	31.0	18.0	9.0	27.5	0.8
0.022	H,J,K	10.0	12.0	6.0	7.5	0.6	0.47	H,J,K	26.5	19.0	10.0	22.5	0.8
0.022	H,J,K	13.0	9.0	4.0	10.0	0.6	0.47	H,J,K	31.0	18.0	9.0	27.5	0.8
0.027	H,J,K	10.0	12.0	6.0	7.5	0.6	0.56	H,J,K	26.0	21.5	12.0	22.5	0.8
0.027	H,J,K	13.0	11.0	5.0	10.0	0.6	0.56	H,J,K	31.5	19.5	10.8	27.5	0.8
0.033	H,J,K	13.0	11.0	5.0	10.0	0.6	0.68	H,J,K	26.0	21.5	12.0	22.5	0.8
0.033	H,J,K	18.0	11.0	5.0	15.0	0.8	0.68	H,J,K	31.5	19.5	10.8	27.5	0.8
0.039	H,J,K	13.0	12.0	6.0	10.0	0.6	0.82	H,J,K	31.5	21.6	13.0	27.5	0.8
0.039	H,J,K	18.0	11.0	5.0	15.0	0.8	1.0	H,J,K	31.0	25.0	14.0	27.5	0.8
0.047	H,J,K	13.0	12.0	6.0	10.0	0.6	1.2	H,J,K	31.0	25.0	14.0	27.5	0.8
0.047	H,J,K	18.0	11.0	5.0	15.0	0.8	1.5	H,J,K	32.0	28.0	18.0	27.5	0.8
0.056	H,J,K	18.0	11.0	5.0	15.0	0.8	1.8	H,J,K	32.0	28.0	18.0	27.5	0.8
0.068	H,J,K	18.0	12.0	6.0	15.0	0.8	--	--	--	--	--	--	--

Unit: mm

Metallized Polypropylene Film Capacitor Box Type

PFSL Series

MERITEK

DIMENSION

630VDC (400VAC)													
Cap(μF)	%	W	H	T	P	d	Cap(μF)	%	W	H	T	P	d
0.00068	H,J,K	10.0	9.0	4.0	7.5	0.6	0.027	H,J,K	18.0	11.0	5.0	15.0	0.8
0.00082	H,J,K	10.0	9.0	4.0	7.5	0.6	0.033	H,J,K	18.0	12.0	6.0	15.0	0.8
0.0010	H,J,K	10.0	9.0	4.0	7.5	0.6	0.039	H,J,K	18.0	12.0	6.0	15.0	0.8
0.0012	H,J,K	10.0	9.0	4.0	7.5	0.6	0.047	H,J,K	18.0	12.0	6.0	15.0	0.8
0.0015	H,J,K	10.0	9.0	4.0	7.5	0.6	0.047	H,J,K	26.5	15.0	6.0	22.5	0.8
0.0018	H,J,K	10.0	9.0	4.0	7.5	0.6	0.056	H,J,K	18.0	13.5	7.5	15.0	0.8
0.0022	H,J,K	10.0	9.0	4.0	7.5	0.6	0.068	H,J,K	18.0	14.5	8.5	15.0	0.8
0.0027	H,J,K	10.0	9.0	4.0	7.5	0.6	0.068	H,J,K	26.5	15.0	6.0	22.5	0.8
0.0033	H,J,K	10.0	9.0	4.0	7.5	0.6	0.082	H,J,K	18.0	14.5	8.5	15.0	0.8
0.0039	H,J,K	10.0	9.0	4.0	7.5	0.6	0.10	H,J,K	18.0	15.5	9.5	15.0	0.8
0.0039	H,J,K	13.0	9.0	4.0	10.0	0.6	0.10	H,J,K	26.5	15.0	6.0	22.5	0.8
0.0047	H,J,K	10.0	9.0	4.0	7.5	0.6	0.12	H,J,K	18.0	19.0	10.8	15.0	0.8
0.0047	H,J,K	13.0	9.0	4.0	10.0	0.6	0.12	H,J,K	26.5	16.5	7.0	22.5	0.8
0.0056	H,J,K	10.0	9.0	4.0	7.5	0.6	0.15	H,J,K	26.5	17.0	8.5	22.5	0.8
0.0056	H,J,K	13.0	9.0	4.0	10.0	0.6	0.15	H,J,K	31.0	18.0	9.0	27.5	0.8
0.0068	H,J,K	10.0	11.0	5.0	7.5	0.6	0.18	H,J,K	26.5	17.0	8.5	22.5	0.8
0.0068	H,J,K	13.0	9.0	4.0	10.0	0.6	0.22	H,J,K	26.5	19.0	10.0	22.5	0.8
0.0082	H,J,K	10.0	11.0	5.0	7.5	0.6	0.22	H,J,K	31.0	18.0	9.0	27.5	0.8
0.0082	H,J,K	13.0	9.0	4.0	10.0	0.6	0.27	H,J,K	26.0	21.5	12.0	22.5	0.8
0.010	H,J,K	10.0	12.0	6.0	7.5	0.6	0.27	H,J,K	31.0	18.0	9.0	27.5	0.8
0.010	H,J,K	13.0	11.0	5.0	10.0	0.6	0.33	H,J,K	26.0	21.5	12.0	22.5	0.8
0.010	H,J,K	18.0	11.0	5.0	15.0	0.8	0.33	H,J,K	31.5	19.5	10.8	27.5	0.8
0.012	H,J,K	10.0	12.0	6.0	7.5	0.6	0.39	H,J,K	26.0	21.5	12.0	22.5	0.8
0.012	H,J,K	13.0	11.0	5.0	10.0	0.6	0.39	H,J,K	31.5	19.5	10.8	27.5	0.8
0.012	H,J,K	18.0	11.0	5.0	15.0	0.8	0.47	H,J,K	31.5	21.6	13.0	27.5	0.8
0.015	H,J,K	13.0	12.0	6.0	10.0	0.6	0.56	H,J,K	31.5	21.6	13.0	27.5	0.8
0.015	H,J,K	18.0	11.0	5.0	15.0	0.8	0.68	H,J,K	31.0	25.0	14.0	27.5	0.8
0.018	H,J,K	13.0	12.0	6.0	10.0	0.6	0.82	H,J,K	31.0	29.5	15.0	27.5	0.8
0.018	H,J,K	18.0	11.0	5.0	15.0	0.8	1.0	H,J,K	32.0	28.0	18.0	27.5	0.8
0.022	H,J,K	18.0	11.0	5.0	15.0	0.8	1.2	H,J,K	32.0	28.0	18.0	27.5	0.8

Unit: mm

Metallized Polypropylene Film Capacitor Box Type

PFSL Series

MERITEK

DIMENSION

1000VDC (600VAC)													
Cap(μF)	%	W	H	T	P	d	Cap(μF)	%	W	H	T	P	d
0.00047	H,J,K	10.0	9.0	4.0	7.5	0.6	0.018	H,J,K	18.0	13.5	7.5	15.0	0.8
0.00056	H,J,K	10.0	9.0	4.0	7.5	0.6	0.022	H,J,K	18.0	13.5	7.5	15.0	0.8
0.00068	H,J,K	10.0	9.0	4.0	7.5	0.6	0.027	H,J,K	18.0	14.5	8.5	15.0	0.8
0.00082	H,J,K	10.0	9.0	4.0	7.5	0.6	0.027	H,J,K	26.5	15.0	6.0	22.5	0.8
0.0010	H,J,K	10.0	9.0	4.0	7.5	0.6	0.033	H,J,K	18.0	14.5	8.5	15.0	0.8
0.0010	H,J,K	13.0	9.0	4.0	10.0	0.6	0.033	H,J,K	26.5	15.0	6.0	22.5	0.8
0.0012	H,J,K	10.0	11.0	5.0	7.5	0.6	0.039	H,J,K	18.0	15.5	9.5	15.0	0.8
0.0015	H,J,K	10.0	11.0	5.0	7.5	0.6	0.039	H,J,K	26.5	15.0	6.0	22.5	0.8
0.0015	H,J,K	13.0	9.0	4.0	10.0	0.6	0.047	H,J,K	18.0	19.0	10.8	15.0	0.8
0.0018	H,J,K	10.0	11.0	5.0	7.5	0.6	0.047	H,J,K	26.5	16.5	7.0	22.5	0.8
0.0018	H,J,K	13.0	9.0	4.0	10.0	0.6	0.056	H,J,K	26.5	16.5	7.0	22.5	0.8
0.0022	H,J,K	10.0	11.0	5.0	7.5	0.6	0.068	H,J,K	26.5	17.0	8.5	22.5	0.8
0.0022	H,J,K	13.0	9.0	4.0	10.0	0.6	0.082	H,J,K	26.5	19.0	10.0	22.5	0.8
0.0027	H,J,K	10.0	12.0	6.0	7.5	0.6	0.10	H,J,K	26.5	19.0	10.0	22.5	0.8
0.0027	H,J,K	13.0	9.0	4.0	10.0	0.6	0.10	H,J,K	31.0	18.0	9.0	27.5	0.8
0.0033	H,J,K	10.0	12.0	6.0	7.5	0.6	0.12	H,J,K	26.0	21.5	12.0	22.5	0.8
0.0033	H,J,K	13.0	9.0	4.0	10.0	0.6	0.12	H,J,K	31.5	19.5	10.8	27.5	0.8
0.0039	H,J,K	13.0	11.0	5.0	10.0	0.6	0.15	H,J,K	26.0	21.5	12.0	22.5	0.8
0.0047	H,J,K	13.0	11.0	5.0	10.0	0.6	0.15	H,J,K	31.5	19.5	10.8	27.5	0.8
0.0056	H,J,K	13.0	12.0	6.0	10.0	0.6	0.18	H,J,K	31.5	21.6	13.0	27.5	0.8
0.0068	H,J,K	13.0	12.0	6.0	10.0	0.6	0.22	H,J,K	31.5	21.6	13.0	27.5	0.8
0.0082	H,J,K	18.0	11.0	5.0	15.0	0.8	0.27	H,J,K	31.0	25.0	14.0	27.5	0.8
0.010	H,J,K	18.0	11.0	5.0	15.0	0.8	0.33	H,J,K	31.0	29.5	15.0	27.5	0.8
0.012	H,J,K	18.0	11.0	5.0	15.0	0.8	0.39	H,J,K	32.0	28.0	18.0	27.5	0.8
0.015	H,J,K	18.0	11.0	5.0	15.0	0.8	0.47	H,J,K	32.0	28.0	18.0	27.5	0.8

Unit: mm

Metallized Polypropylene Film Capacitor Box Type

PFSL Series

MERITEK

DIMENSION

1600VDC (650VAC)													
Cap(μF)	%	W	H	T	P	d	Cap(μF)	%	W	H	T	P	d
0.00068	H,J,K	18.0	11.0	5.0	15.0	0.8	0.027	H,J,K	18.0	15.5	9.5	15.0	0.8
0.00082	H,J,K	18.0	11.0	5.0	15.0	0.8	0.027	H,J,K	26.5	15.0	6.0	22.5	0.8
0.0010	H,J,K	18.0	11.0	5.0	15.0	0.8	0.033	H,J,K	18.0	19.0	10.8	15.0	0.8
0.0012	H,J,K	18.0	11.0	5.0	15.0	0.8	0.033	H,J,K	26.5	16.5	7.0	22.5	0.8
0.0015	H,J,K	18.0	11.0	5.0	15.0	0.8	0.039	H,J,K	26.5	17.0	8.5	22.5	0.8
0.0018	H,J,K	18.0	11.0	5.0	15.0	0.8	0.039	H,J,K	31.0	18.0	9.0	27.5	0.8
0.0022	H,J,K	18.0	11.0	5.0	15.0	0.8	0.047	H,J,K	26.5	19.0	10.0	22.5	0.8
0.0027	H,J,K	18.0	11.0	5.0	15.0	0.8	0.047	H,J,K	31.0	18.0	9.0	27.5	0.8
0.0033	H,J,K	18.0	11.0	5.0	15.0	0.8	0.056	H,J,K	26.5	19.0	10.0	22.5	0.8
0.0039	H,J,K	18.0	11.0	5.0	15.0	0.8	0.056	H,J,K	31.0	18.0	9.0	27.5	0.8
0.0047	H,J,K	18.0	11.0	5.0	15.0	0.8	0.068	H,J,K	26.0	21.5	12.0	22.5	0.8
0.0056	H,J,K	18.0	11.0	5.0	15.0	0.8	0.068	H,J,K	31.0	18.0	9.0	27.5	0.8
0.0068	H,J,K	18.0	11.0	5.0	15.0	0.8	0.082	H,J,K	26.0	21.5	12.0	22.5	0.8
0.0082	H,J,K	18.0	12.0	6.0	15.0	0.8	0.082	H,J,K	31.5	19.5	10.8	27.5	0.8
0.010	H,J,K	18.0	12.0	6.0	15.0	0.8	0.10	H,J,K	31.5	19.5	10.8	27.5	0.8
0.012	H,J,K	18.0	13.5	7.5	15.0	0.8	0.12	H,J,K	31.5	21.6	13.0	27.5	0.8
0.015	H,J,K	18.0	13.5	7.5	15.0	0.8	0.15	H,J,K	31.0	25.0	14.0	27.5	0.8
0.015	H,J,K	26.5	15.0	6.0	22.5	0.8	0.18	H,J,K	31.0	25.0	14.0	27.5	0.8
0.018	H,J,K	18.0	14.5	8.5	15.0	0.8	0.22	H,J,K	32.0	28.0	18.0	27.5	0.8
0.018	H,J,K	26.5	15.0	6.0	22.5	0.8	0.27	H,J,K	32.0	28.0	18.0	27.5	0.8
0.022	H,J,K	18.0	14.5	8.5	15.0	0.8	0.33	H,J,K	32.0	28.0	18.0	27.5	0.8
0.022	H,J,K	26.5	15.0	6.0	22.5	0.8	--	--	--	--	--	--	--

Unit: mm

Metallized Polypropylene Film Capacitor Box Type

PFSL Series

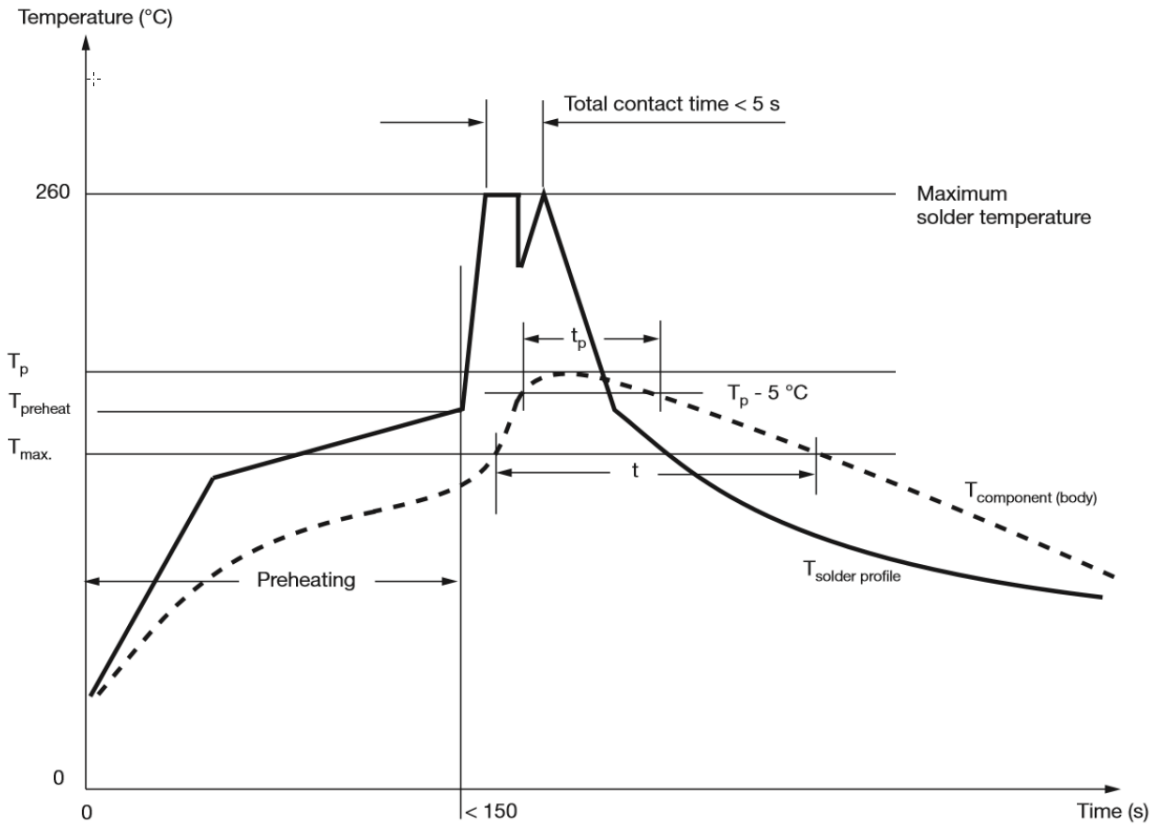
MERITEK

DIMENSION

2000VDC (700VAC)													
Cap(μF)	%	W	H	T	P	d	Cap(μF)	%	W	H	T	P	d
0.00022	H,J,K	18.0	11.0	5.0	15.0	0.8	0.0068	H,J,K	18.0	13.5	7.5	15.0	0.8
0.00027	H,J,K	18.0	11.0	5.0	15.0	0.8	0.0068	H,J,K	26.5	15.0	6.0	22.5	0.8
0.00033	H,J,K	18.0	11.0	5.0	15.0	0.8	0.0082	H,J,K	18.0	14.5	8.5	15.0	0.8
0.00039	H,J,K	18.0	11.0	5.0	15.0	0.8	0.0082	H,J,K	26.5	15.0	6.0	22.5	0.8
0.00047	H,J,K	18.0	11.0	5.0	15.0	0.8	0.010	H,J,K	18.0	15.5	9.5	15.0	0.8
0.00056	H,J,K	18.0	11.0	5.0	15.0	0.8	0.010	H,J,K	26.5	15.0	6.0	22.5	0.8
0.00068	H,J,K	18.0	11.0	5.0	15.0	0.8	0.012	H,J,K	18.0	15.5	9.5	15.0	0.8
0.00082	H,J,K	18.0	11.0	5.0	15.0	0.8	0.012	H,J,K	26.5	15.0	6.0	22.5	0.8
0.0010	H,J,K	18.0	11.0	5.0	15.0	0.8	0.015	H,J,K	18.0	19.0	10.8	15.0	0.8
0.0010	H,J,K	26.5	15.0	6.0	22.5	0.8	0.015	H,J,K	26.5	16.5	7.0	22.5	0.8
0.0012	H,J,K	18.0	11.0	5.0	15.0	0.8	0.018	H,J,K	26.5	16.5	7.0	22.5	0.8
0.0012	H,J,K	26.5	15.0	6.0	22.5	0.8	0.022	H,J,K	26.5	17.0	8.5	22.5	0.8
0.0015	H,J,K	18.0	11.0	5.0	15.0	0.8	0.022	H,J,K	31.0	18.0	9.0	27.5	0.8
0.0015	H,J,K	26.5	15.0	6.0	22.5	0.8	0.027	H,J,K	26.5	19.0	10.0	22.5	0.8
0.0018	H,J,K	18.0	11.0	5.0	15.0	0.8	0.027	H,J,K	31.0	18.0	9.0	27.5	0.8
0.0018	H,J,K	26.5	15.0	6.0	22.5	0.8	0.033	H,J,K	26.5	19.0	10.0	22.5	0.8
0.0022	H,J,K	18.0	11.0	5.0	15.0	0.8	0.033	H,J,K	31.0	18.0	9.0	27.5	0.8
0.0022	H,J,K	26.5	15.0	6.0	22.5	0.8	0.039	H,J,K	26.0	21.5	12.0	22.5	0.8
0.0027	H,J,K	18.0	11.0	5.0	15.0	0.8	0.039	H,J,K	31.5	19.5	10.8	27.5	0.8
0.0027	H,J,K	26.5	15.0	6.0	22.5	0.8	0.047	H,J,K	26.0	21.5	12.0	22.5	0.8
0.0033	H,J,K	18.0	12.0	6.0	15.0	0.8	0.047	H,J,K	31.5	19.5	10.8	27.5	0.8
0.0033	H,J,K	26.5	15.0	6.0	22.5	0.8	0.056	H,J,K	31.5	21.6	13.0	27.5	0.8
0.0039	H,J,K	18.0	12.0	6.0	15.0	0.8	0.068	H,J,K	31.5	21.6	13.0	27.5	0.8
0.0039	H,J,K	26.5	15.0	6.0	22.5	0.8	0.082	H,J,K	31.0	25.0	14.0	27.5	0.8
0.0047	H,J,K	18.0	12.0	6.0	15.0	0.8	0.10	H,J,K	31.0	29.5	15.0	27.5	0.8
0.0047	H,J,K	26.5	15.0	6.0	22.5	0.8	0.12	H,J,K	32.0	28.0	18.0	27.5	0.8
0.0056	H,J,K	18.0	13.5	7.5	15.0	0.8	0.15	H,J,K	32.0	28.0	18.0	27.5	0.8
0.0056	H,J,K	26.5	15.0	6.0	22.5	0.8	--	--	--	--	--	--	--

Unit: mm

RECOMMENDED SOLDERING PROFILE- Wave Soldering



The PSL (Process Sensitivity Level) is classified according to JEDEC standard J-STD-075 "Classification of Non-IC Electronic Components for Assembly Processes" and summarized in following tables per product family and pitch size of the component:

Series	Pitch Size							
	5mm	7.5mm	10mm	15mm	22.5mm	27mm	31.5mm	37.5mm
PFSL	--	(3)(5)	(2)(5)	(1)(6)	(1)(6)	(1)(6)	--	--

Notes

- (1) No risk
- (2) Risk for parameter change if PSL is not strictly followed
- (3) Risk for product damage if PSL is not strictly followed
- (4) Temperature is measured at the body top and must be kept as follows:
 - a. During preheating: $T_{max} \leq 100^\circ C$
 - b. During soldering: $T_p \leq 110^\circ C$, $t_p \leq 20$ s, $t \leq 30$ s
- (5) Temperature is measured at the body top and must be kept as follows:
 - c. During preheating: $T_{max} \leq 100^\circ C$
 - d. During soldering: $T_p \leq 120^\circ C$, $t_p \leq 20$ s, $t \leq 30$ s
- (6) The component has a preheat limitation of $150^\circ C$

*Specifications subject to change without notice.