

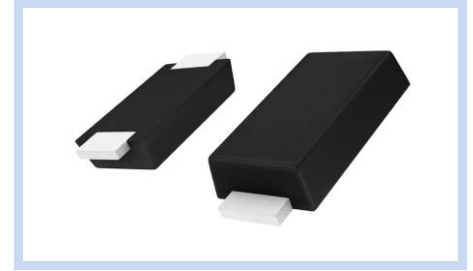
Silicon Rectifier 1000V 1A SOD-323

G4007WS

MERITEK

FEATURE

- Operating temperature: -55°C ~ +155°C
- Low profile surface mount package
- Glass passivated silicon rectifier
- Low forward voltage drop
- Built-in strain relief



MECHANICAL DATA

- Case: SOD-323, Molded Plastic
- Terminals: Solderable per MIL-STD-750, Method 2026
- Polarity: Band Marking denotes cathode end



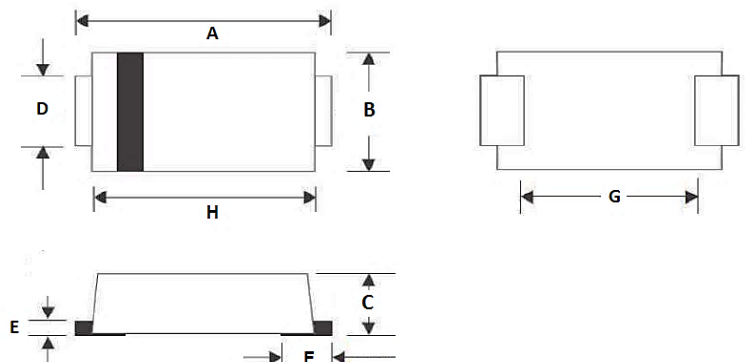
ELECTRICAL CHARACTERISTICS

Parameter	Symbol	Value	Unit
Maximum Recerrent Peak Reverse Voltage	V_{RRM}	1000	V
Maximum RMS Voltage	V_{RMS}	700	V
Maximum DC Blocking Voltage	V_{DC}	1000	V
Maximum Average Forward Rectified Current	I_{AV}	1.0	A
Peak Forward Surge Current, 8.3ms single half-sine-wave superimposed on rated load (JEDEC method)	I_{FSM}	25.0	A
Maximum Forward Voltage at 3.0A	V_F	1.1	V
Maximum Reverse Current at Rated DC Blocking Voltage	I_R	$T_A = 25^\circ\text{C}$	5.0
		$T_A = 100^\circ\text{C}$	50
Typical Junction Capacitance	C_J	5	pF
Thermal Resistance (1MHz, 4.0VDC)	$R_{\theta JM}$	55	$^\circ\text{C/W}$
Operating Junction Temperature Range	T_J	-55 ~ +150	$^\circ\text{C}$
Storage Temperature Range	T_{stg}	-55 ~ +150	

Notes: 1. Thermal resistance from junction to lead mounted on P.C.B. with 0.5 x 0.5" (15 x 15mm) copper pad areas

DIMENSIONS

SOD-323	Min (mm)	Max (mm)
A	2.40	2.80
B	1.40	1.60
C	0.90	1.08
D	0.50	0.70
E	0.10	0.25
F	0.35	0.65
G	--	--
H	2.00	2.20



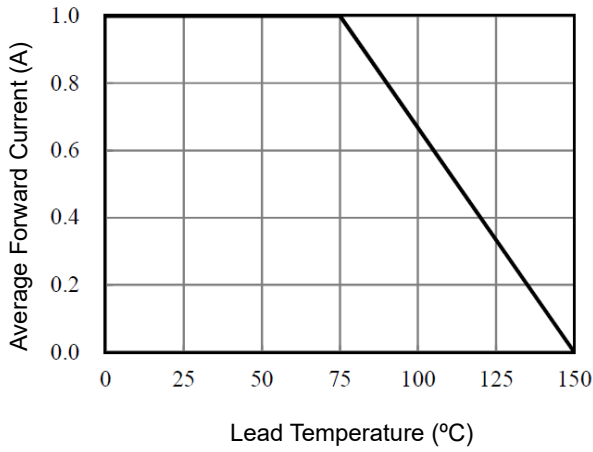
Silicon Rectifier 1000V 1A SOD-323

G4007WS

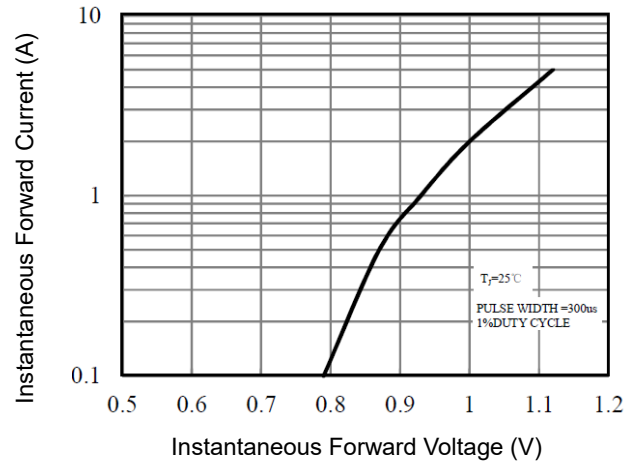
MERITEK

CHARACTERISTIC CURVES

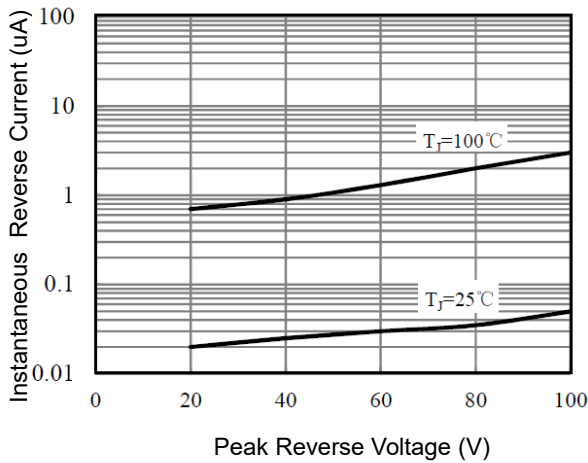
Forward Current Derating Curve



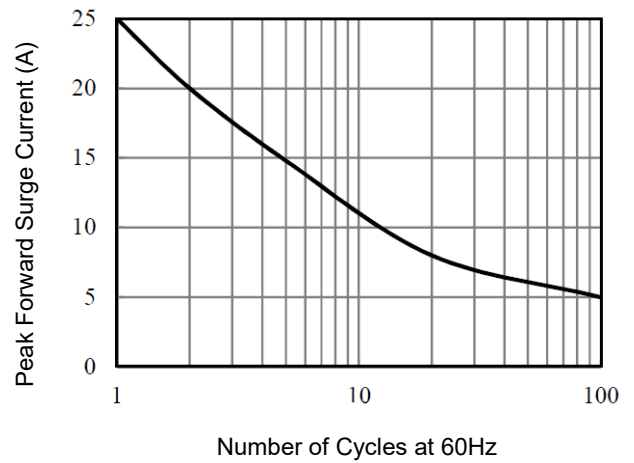
Typical Instantaneous Forward Characteristics



Typical Reverse Characteristics



Maximum Non-Repetitive Surge Current



*Specifications subject to change without notice.