

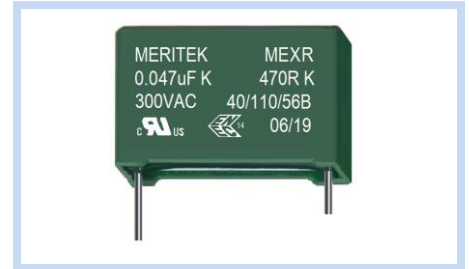
# Snubber Capacitor RC Network, Spark Quenching

MEXR Series

**MERITEK**

## FEATURE

- Self-Healing Property
- Dielectric: Metallized Polypropylene Film
- Winding: Non-Inductive Type
- High DV/DT Capability
- Flammability Classification 94V-0
- Application: Relay Contact Protection, Interference and Transient Suppression, Noise Reduction.
- UL Category (CCN): FOWX2 / FOWX8
- UL/cUL Safety Approved: Certification No: E197475



## PART NUMBERING SYSTEM



MEXR    224    K    471    K    3    xx  
(1)        (2)        (3)        (4)        (5)        (6)        (7)

No	Item	Digit	Description	Reference
(1)	Meritek Series	MEXR	EMI Suppression Capacitors	RC Network Snubber Capacitor type
(2)	Capacitance Code	224	224: 220000pF	First two digits: Significant, Third: Multiplier
(3)	Capacitance Tolerance	K	K: ±10%	J: 5%, M: 20%
(4)	Resistance Code	471	471: 470Ω	First two digits: Significant, Third: Multiplier
(5)	Resistance Tolerance	K	K: ±10%	J: 5%, M: 20%
(6)	Rated Voltage Code	3	3: 300VAC	2: 250VAC, Rated AC Voltage
(7)	Internal Code	xx	Internal Control Code	Internal Control or Project Reference

## SPECIFICATIONS

Item	Characteristic	
Operating Temperature Range	-40°C ~ +110°C	
Rated Voltage , Climate Category	250VAC, 300VAC at 50~60Hz,	40/110/56/B
Capacitance, Tolerance	0.01μF ~ 1.0μF	±5% (J), ±10% (K), ±20% (M)
Dissipation Factor (tan δ)	≤0.1%	at 1KHz ±2%, ≤1.0 <sub>V</sub> RMS
Power Rating of Resistor	Standard: 1/2W	Options:1/4W, 1W, 2W, 3W, 4W; 5W, 9W,10W
Insulation Resistance at 100V <sub>DC</sub> , Change Time: 60s ±5s	≥ 30,000MΩ (C≤0.33μF)	≥ 10,000MΩ*μF/C (C>0.33μF)
Withstanding Voltage	<b>Between Terminals</b>	<b>Between Terminals and Case</b>
	4.3*U <sub>rDC</sub> for 2sec	2.5KV <sub>AC</sub> /60Hz for 2sec
Peak Pulse Voltage	1000V (Max 12 A Repetitive. Max 20 A Peak For Occasional Transients)	

# Snubber Capacitor RC Network, Spark Quenching

MEXR Series

**MERITEK**

## ELECTRICAL SPECIFICATION- 250VAC

Part Number	Code	Cap	Tol	Volt	W	H	T	P	Safety
		(uF)	(%)	(V <sub>AC</sub> )	(mm)	(mm)	(mm)	(mm)	Compliance
MEXR103□△△△○2**	103	0.01	J,K,M	250	18.0	13.5	6.0	15.0	UL, cUL, ENEC
MEXR333□△△△○2**	333	0.033	J,K,M	250	18.0	13.5	6.0	15.0	UL, cUL, ENEC
MEXR473□△△△○2**	473	0.047	J,K,M	250	18.0	13.5	6.0	15.0	UL, cUL, ENEC
MEXR333□△△△○2**	333	0.033	J,K,M	250	18.0	13.5	6.0	15.0	UL, cUL, ENEC
MEXR683□△△△○2**	683	0.068	J,K,M	250	18.0	13.5	6.0	15.0	UL, cUL, ENEC
MEXR104□△△△○2**	104	0.10	J,K,M	250	25.0	14.5	6.0	22.5	UL, cUL, ENEC
MEXR224□△△△○2**	224	0.22	J,K,M	250	26.5	16.5	7.0	22.5	UL, cUL, ENEC
MEXR334□△△△○2**	334	0.33	J,K,M	250	26.5	17.0	8.5	22.5	UL, cUL, ENEC
MEXR474□△△△○2**	474	0.47	J,K,M	250	26.5	19.0	10.0	22.5	UL, cUL, ENEC
MEXR564□△△△○2**	564	0.56	J,K,M	250	25.0	19.5	10.5	22.5	UL, cUL, ENEC
MEXR684□△△△○2**	684	0.68	J,K,M	250	31.5	20.0	11.0	27.5	UL, cUL, ENEC
MEXR105□△△△○2**	105	1.00	J,K,M	250	31.5	22.5	13.0	27.5	UL, cUL, ENEC

## ELECTRICAL SPECIFICATION- 300VAC

Part Number	Code	Cap	Tol	Volt	W	H	T	P	Safety
		(uF)	(%)	(V <sub>AC</sub> )	(mm)	(mm)	(mm)	(mm)	Compliance
MEXR103□△△△○3**	103	0.01	J,K,M	300	18.0	13.5	6.0	15.0	UL, cUL, ENEC
MEXR333□△△△○3**	333	0.033	J,K,M	300	18.0	13.5	6.0	15.0	UL, cUL, ENEC
MEXR473□△△△○3**	473	0.047	J,K,M	300	18.0	13.5	6.0	15.0	UL, cUL, ENEC
MEXR333□△△△○3**	333	0.033	J,K,M	300	18.0	13.5	6.0	15.0	UL, cUL, ENEC
MEXR683□△△△○3**	683	0.068	J,K,M	300	18.0	13.5	6.0	15.0	UL, cUL, ENEC
MEXR104□△△△○3**	104	0.10	J,K,M	300	25.0	14.5	6.0	22.5	UL, cUL, ENEC
MEXR224□△△△○3**	224	0.22	J,K,M	300	26.5	16.5	7.0	22.5	UL, cUL, ENEC
MEXR334□△△△○3**	334	0.33	J,K,M	300	26.5	17.0	8.5	22.5	UL, cUL, ENEC
MEXR474□△△△○3**	474	0.47	J,K,M	300	26.5	19.0	10.0	22.5	UL, cUL, ENEC
MEXR564□△△△○3**	564	0.56	J,K,M	300	25.0	19.5	10.5	22.5	UL, cUL, ENEC
MEXR684□△△△○3**	684	0.68	J,K,M	300	31.5	20.0	11.0	27.5	UL, cUL, ENEC
MEXR105□△△△○3**	105	1.00	J,K,M	300	31.5	22.5	13.0	27.5	UL, cUL, ENEC

Note:

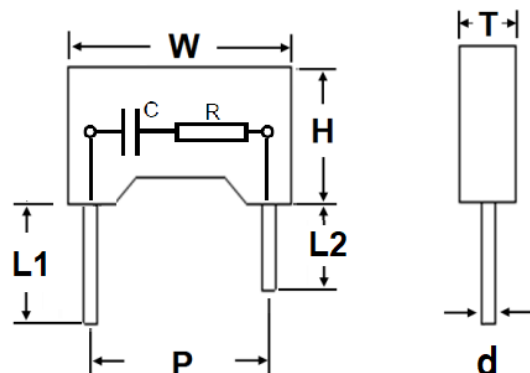
- : Denotes capacitance tolerance;
- △△△: Denotes resistance, ○: Denotes resistance tolerance;
- \*\* : Internal control code

## DIMENSION

P (mm)	d (mm)	W, H, T (mm)
15.0	0.6	See Table Attached
22.5	0.8	
27.5	0.8	

Note:

- Standard Lead Length: L1: 15mm min., L2: 10mm min.
- Contact Meritek for other available options on lead diameter, Lead length, Forming or wire assembly.



# Snubber Capacitor RC Network, Spark Quenching

MEXR Series

MERITEK

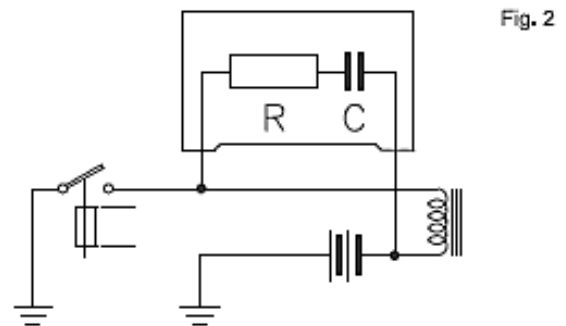
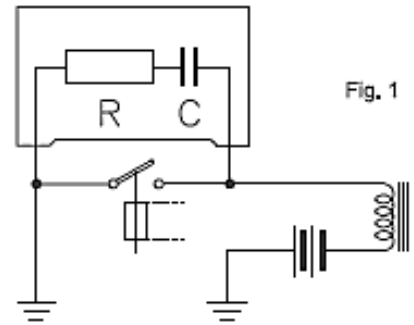
## APPLICATION NOTE

### Application

- Contact protection
- Interference suppression of contacts
- Transient suppression

### Mounting

RC units are mounted in parallel with the contacts to be protected or in parallel with the inductive load (fig.1-2). RC units are generally mounted in parallel with the contacts to suppress radio interferences (fig.1).



\*Specifications subject to change without notice.