

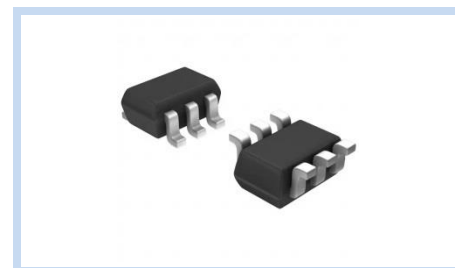
ESD Suppressor 5V 4-Unidirectional SOT-363

ME54U9V8S363

MERITEK

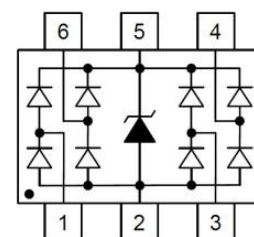
FEATURE

- IEC 61000-4-2 ESD: $\pm 15\text{KV}$ (Air) $\pm 8\text{KV}$ (Contact)
- ESD Protection for four Unidirectional Channels
- Low Operating Voltage
- Clamping Voltage
- Low Leakage Current
- Solid-State Silicon-Avalanche Technology



APPLICATION

- USB Power And Data Line Protection
- 10/100/1000 Ethernet
- Video Line Protection
- LAN/WAN Device
- Microcontroller Input Protection
- Portable Devices



MAXIMUM RATINGS AND CHARACTERISTICS

Parameter	Symbol	Value	Unit
ESD Voltage (Contact discharge)	V_{ESD}	± 8	kV
ESD Voltage (Air discharge)		± 15	
Peak Pulse Current ($t_p=8/20\mu s$)	I_{PP}	3	A
Operating & Storage Temperature Range	T_J, T_{STG}	-55~+150	$^{\circ}\text{C}$

ELECTRICAL CHARACTERISTICS

Parameter	Condition	Symbol	Min.	Typ.	Max.	Unit
Reverse Stand-Off Voltage	--	V_{RWM}	--	--	5	V
Reverse Breakdown Voltage	$I_{BR}=1\text{mA}$	V_{BR}	6	--	--	V
Reverse Leakage Current	$V_R=5$, Each I/O pin	I_R	--	--	1	μA
Clamping Voltage	$I_{PP}=1\text{A}$, $t_p=8/20\mu s$	V_C	--	--	9.8	V
	$I_{PP}=2\text{A}$, $t_p=8/20\mu s$		--	--	15	
Off State Junction Capacitance	$V_{dc}=0$, $f=1\text{MHz}$, Between I/O pins and GND	C_J	--	1	--	pF

Notes:

1. $T_J=25^{\circ}\text{C}$ unless otherwise specified

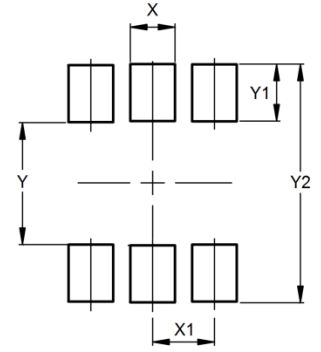
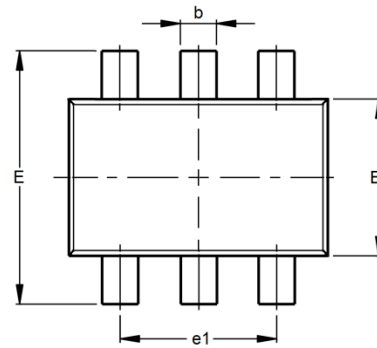
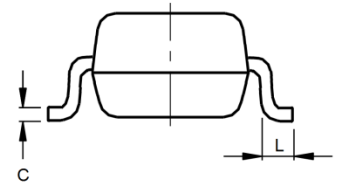
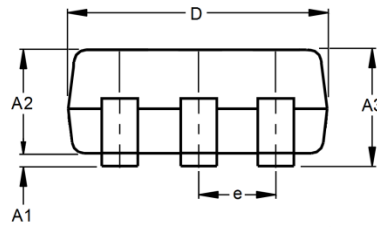
ESD Suppressor 5V 4-Unidirectional SOT-363

ME54U9V8S363

MERITEK

DIMENSIONS AND RECOMMENDED LAND PATTERN

Item	Min (mm)	Max (mm)
A1	0.00	0.10
A2	0.80	0.90
A3	0.80	1.00
b	0.15	0.30
C	0.10	0.25
D	1.85	2.15
e	0.65	0.65
e1	1.30	1.30
E	1.90	2.30
E1	1.10	1.40
L	0.25	-
Y	1.25	1.25
Y1	0.60	0.60
Y2	2.30	2.30
X	0.42	0.42
X1	0.65	0.65



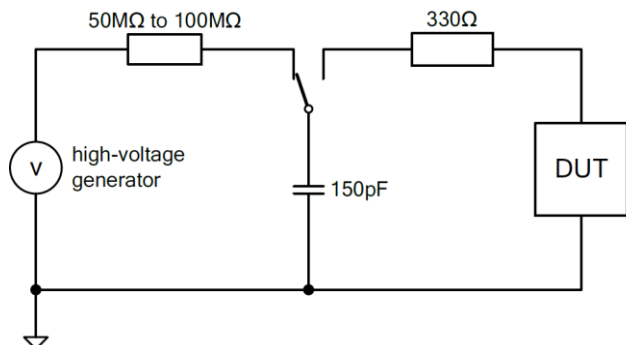
ESD Suppressor 5V 4-Unidirectional SOT-363

ME54U9V8S363

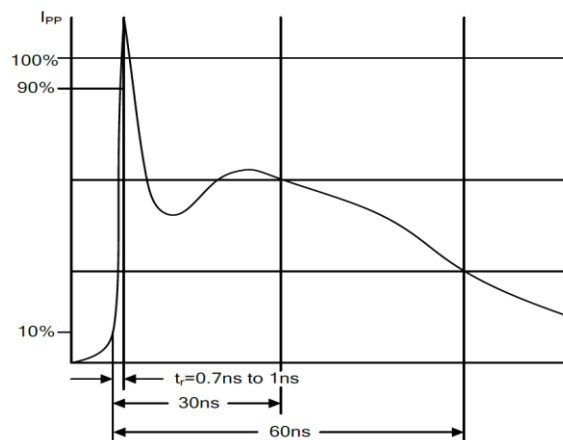
MERITEK

ESD PROTECTION STANDARDS

IEC61000-4-2

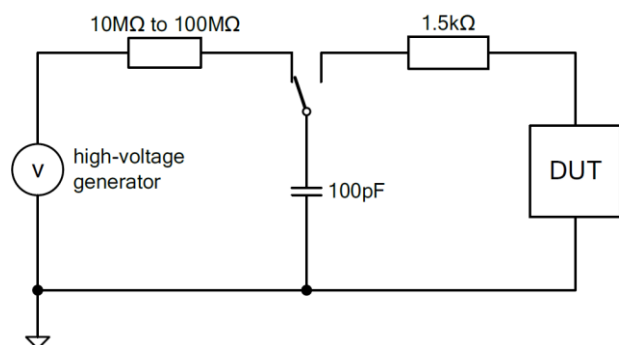


Test Circuit according to IEC61000-4-2

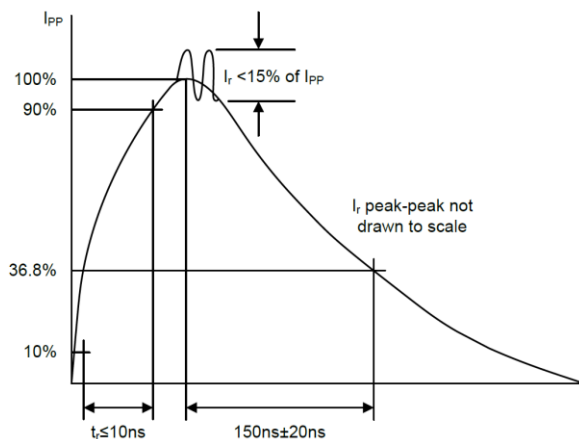


ESD Surge according to IEC61000-4-2

Human Body Model (HBM, 883E method 3015.7)



Test Circuit according to MIL-883E method 3015.7



ESD Surge according to MIL-883E method 3015.7

*Specifications subject to change without notice.