

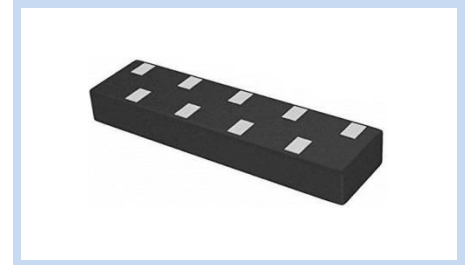
ESD Suppressor 5V 8- Unidirectional DFN3810

ME58U9V8D3810

MERITEK

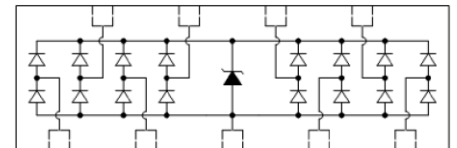
FEATURE

- IEC 61000-4-2 ESD: $\pm 20\text{KV}$ (Air) $\pm 20\text{KV}$ (Contact)
- ESD Protection for eight Unidirectional Channels
- Low Capacitance
- Low Clamping Voltage
- Solid-State Silicon-Avalanche Technology



APPLICATION

- High Definition Multi-Media Interface (HDMI 1.4)
- Digital Visual Interface (DVI)
- Display Port Interface
- SATA Interface
- Desktops and Notebooks



MAXIMUM RATINGS AND CHARACTERISTICS

Parameter	Symbol	Value	Unit
ESD Voltage (Contact discharge)	V_{ESD}	± 20	KV
ESD Voltage (Air discharge)		± 20	
Peak Pulse Current ($t_p=8/20\mu\text{s}$)	I_{PP}	5	A
Operating & Storage Temperature Range	T_J, T_{STG}	-55~+150	$^{\circ}\text{C}$

ELECTRICAL CHARACTERISTICS

Parameter	Condition	Symbol	Min.	Typ.	Max.	Unit
Reverse Stand-Off Voltage	--	V_{RWM}	--	--	5	V
Reverse Breakdown Voltage	$I_{BR}=1\text{mA}$	V_{BR}	6	--	--	V
Reverse Leakage Current	$V_R=5\text{V}$, Each I/O pin	I_R	--	--	1	μA
Clamping Voltage	$I_{PP}=1\text{A}$, $t_p=8/20\mu\text{s}$, I/O pin to GND	V_C	--	--	9.8	V
	$I_{PP}=4\text{A}$, $t_p=8/20\mu\text{s}$, I/O pin to GND		--	--	15	
Off State Junction Capacitance	$V_{dc}=0$, $f=1\text{MHz}$, I/O pin to GND	C_J	--	0.6	--	pF
	$V_{dc}=0$, $f=1\text{MHz}$, Between I/O pins		--	0.3	--	

Notes:

1. $T_J=25^{\circ}\text{C}$ unless otherwise specified

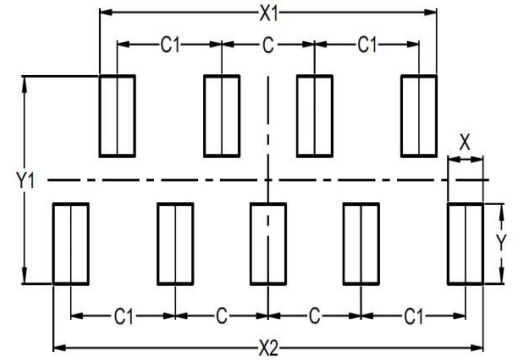
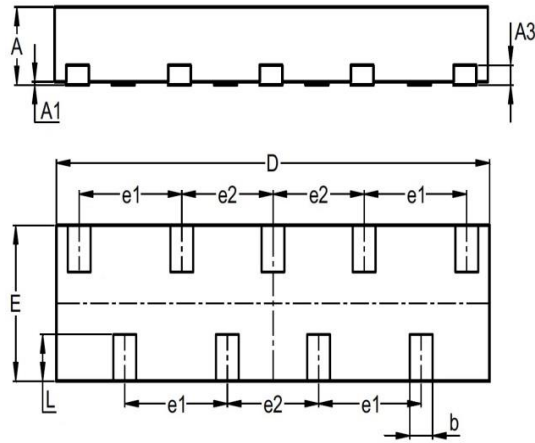
ESD Suppressor 5V 8- Unidirectional DFN3810

ME58U9V8D3810

MERITEK

DIMENSIONS AND RECOMMENDED LAND PATTERN

Item	Min (mm)	Max (mm)
A	0.45	0.65
A1	-	0.05
A3	-	-
b	0.15	0.25
D	3.70	3.90
e1	0.90	0.90
e2	0.80	0.80
E	0.90	1.10
L	0.25	0.35
C	0.80	0.80
C1	0.90	0.90
X	0.30	0.30
X1	2.9	2.9
X2	3.7	3.7
Y	0.5	0.5
Y1	1.3	1.3



*Specifications subject to change without notice.