

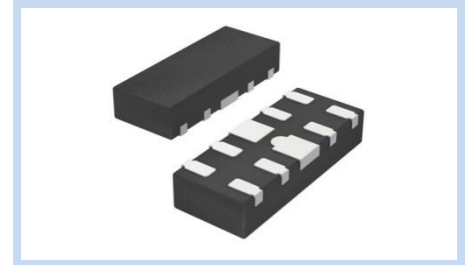
# ESD Suppressor 5V 4-Unidirectional DFN2510

ME54U9V8D25102

MERITEK

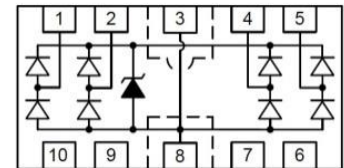
## FEATURE

- IEC 61000-4-2 ESD:  $\pm 20\text{KV}$  (Air)  $\pm 20\text{KV}$  (Contact)
- ESD Protection for four Unidirectional Channels
- Low Leakage Current
- Low Clamping and Operating Voltages
- Solid-State Silicon-Avalanche Technology



## APPLICATION

- High Definition Multimedia Interface (HDMI 1.4)
- Digital Visual Interface (DVI)
- Unified Display Interface (UDI)
- Display Port Interface
- MDDI Ports
- PCI Express



## MAXIMUM RATINGS AND CHARACTERISTICS

Parameter	Symbol	Value	Unit
ESD Voltage (Contact discharge)	$V_{ESD}$	$\pm 20$	KV
ESD Voltage (Air discharge)		$\pm 20$	
Peak Pulse Current ( $t_p=8/20\mu s$ )	$I_{PP}$	5	A
Operating & Storage Temperature Range	$T_J, T_{STG}$	$-55 \sim +150$	$^{\circ}\text{C}$

## ELECTRICAL CHARACTERISTICS

Parameter	Condition	Symbol	Min.	Typ.	Max.	Unit
Reverse Stand-Off Voltage	--	$V_{RWM}$	--	--	5	V
Reverse Breakdown Voltage	$I_{BR}=1\text{mA}$	$V_{BR}$	6	--	--	V
Reverse Leakage Current	$V_R=5\text{V}$ , Each I/O pin	$I_R$	--	--	1	$\mu\text{A}$
Clamping Voltage	$I_{PP}=1\text{A}$ , $t_p=8/20\mu s$	$V_C$	--	--	9.8	V
	$I_{PP}=4\text{A}$ , $t_p=8/20\mu s$		--	--	15	
Off State Junction Capacitance	$V_{dc}=0$ , $f=1\text{MHz}$ , I/O pin to GND	$C_J$	--	0.6	--	pF
	$V_{dc}=0$ , $f=1\text{MHz}$ , Between I/O pins		--	0.3	--	

Notes:  $T_J=25^{\circ}\text{C}$  unless otherwise specified

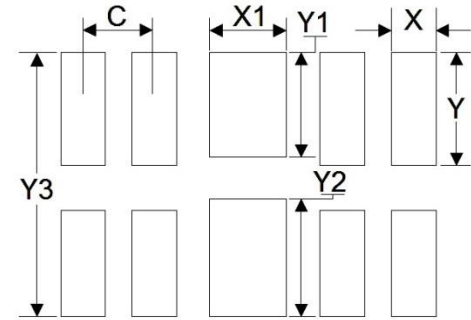
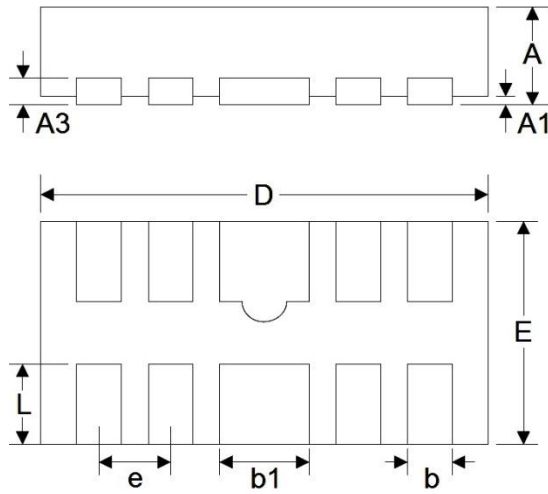
# ESD Suppressor 5V 4-Unidirectional DFN2510

ME54U9V8D25102

MERITEK

## DIMENSIONS AND RECOMMENDED LAND PATTERN

Item	Min (mm)	Max (mm)
A	0.45	0.65
A1	-	0.05
A3	0.10	0.20
b	0.15	0.25
b1	0.35	0.45
D	2.40	2.60
e	0.50	0.50
E	0.90	1.10
L	0.35	0.45
C	0.50	0.50
X	0.25	0.25
X1	0.45	0.45
Y	0.63	0.63
Y1	0.58	0.58
Y2	0.70	0.70
Y3	1.40	1.40



\*Specifications subject to change without notice.