

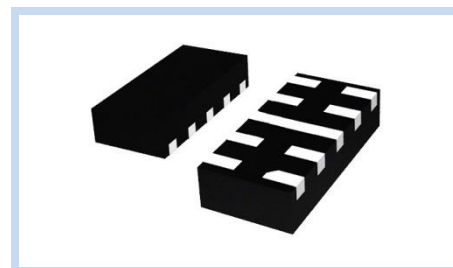
ESD Suppressor 5V 4-Unidirectional DFN2010

ME54U9V8D2010

MERITEK

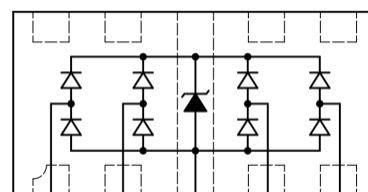
FEATURE

- IEC 61000-4-2 ESD: $\pm 20\text{KV}$ (Air) $\pm 20\text{KV}$ (Contact)
- ESD Protection for four Unidirectional Channels
- Low Capacitance
- Low Clamping Voltage
- Solid-State Silicon-Avalanche Technology



APPLICATION

- High Definition Multi-Media Interface (HDMI 1.4)
- Digital Visual Interface (DVI)
- Display Port Interface
- SATA Interface
- Desktops and Notebooks



MAXIMUM RATINGS AND CHARACTERISTICS

Parameter	Symbol	Value	Unit
ESD Voltage (Contact discharge)	V_{ESD}	± 20	KV
ESD Voltage (Air discharge)		± 20	
Peak Pulse Current ($t_p=8/20\mu s$)	I_{PP}	5	A
Operating & Storage Temperature Range	T_J, T_{STG}	-55~+150	$^{\circ}\text{C}$

ELECTRICAL CHARACTERISTICS

Parameter	Condition	Symbol	Min	Typ	Max	Unit
Reverse Stand-Off Voltage	--	V_{RWM}	--	--	5	V
Reverse Breakdown Voltage	$I_{BR}=1\text{mA}$	V_{BR}	6	--	--	V
Reverse Leakage Current	$V_R=5\text{V}$, Each I/O pin	I_R	--	--	1	μA
Clamping Voltage	$I_{PP}=1\text{A}$, $t_p=8/20\mu s$, I/O pin to GND	V_C	--	--	9.8	V
	$I_{PP}=4\text{A}$, $t_p=8/20\mu s$, I/O pin to GND		--	--	15	
Off State Junction Capacitance	$V_{dc}=0$, $f=1\text{MHz}$, I/O pin to GND	C_J	--	0.6	--	pF
	$V_{dc}=0$, $f=1\text{MHz}$, Between I/O pins		--	0.3	--	

Notes:

1. $T_J=25^{\circ}\text{C}$ unless otherwise specified

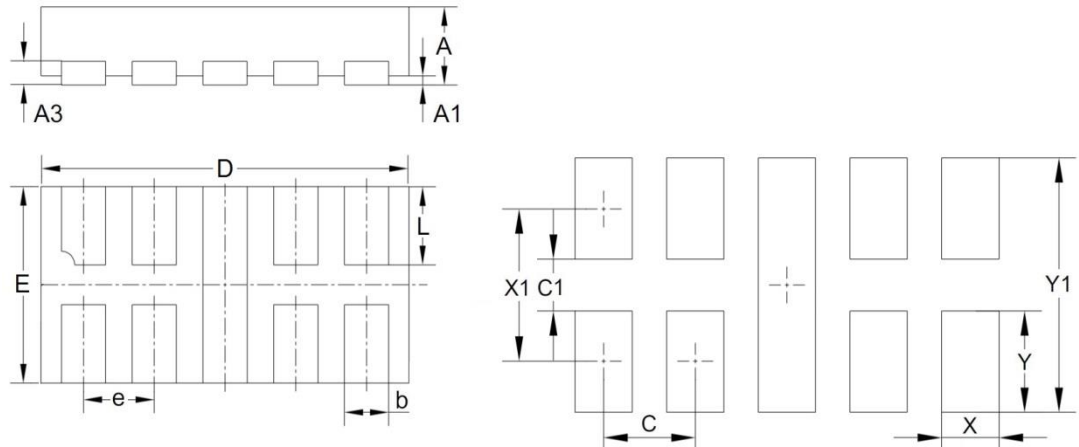
ESD Suppressor 5V 4-Unidirectional DFN2010

ME54U9V8D2010

MERITEK

DIMENSIONS AND RECOMMENDED LAND PATTERN

Item	Min (mm)	Max (mm)
A	0.45	0.65
A1	0.00	0.05
A3	0.13	0.13
b	0.15	0.25
D	1.92	2.08
E	0.95	1.08
e	0.40	0.40
L	0.32	0.43
C	0.40	0.40
C1	0.21	0.21
X	0.20	0.20
X1	0.88	0.88
Y	0.67	0.67
Y1	1.55	1.55



*Specifications subject to change without notice.