

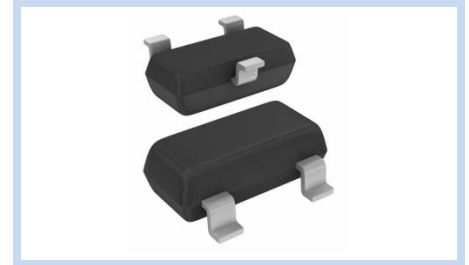
ESD Suppressor 3.3V 2-Bidirectional SOT-23

ME3V32B9V8S23

MERITEK

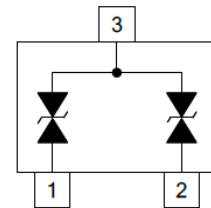
FEATURE

- IEC 61000-4-2 ESD: $\pm 30\text{KV}$ (Air) $\pm 30\text{KV}$ (Contact)
- ESD Protection for two Bidirectional Channel
- Ultra Low Capacitance
- Low Clamping Voltage
- Solid-State Silicon-Avalanche Technology



APPLICATION

- Infiniband Transceiver Protection
- Mobile Display Digital Interface
- Antenna Applications
- USB 2.0 and Firewire Ports
- GaAs Photodetector Protection



MAXIMUM RATINGS AND CHARACTERISTICS

Parameter	Symbol	Value	Unit
ESD Voltage (Contact discharge)	V_{ESD}	± 30	KV
ESD Voltage (Air discharge)		± 30	
Operating & Storage Temperature Range	T_J, T_{STG}	-55~+150	$^{\circ}\text{C}$

ELECTRICAL CHARACTERISTICS

Parameter	Condition	Symbol	Min.	Typ.	Max.	Unit
Reverse Stand-Off Voltage	--	V_{RWM}	--	--	3.3	V
Reverse Breakdown Voltage	$I_{BR}=1\text{mA}$	V_{BR}	3.5	--	--	V
Reverse Leakage Current	$V_R=3.3\text{V}$, Each I/O pin	I_R	--	--	500	nA
Clamping Voltage	$I_{PP}=1\text{A}$, $t_p=8/20\mu\text{s}$	V_C	--	9.80	--	V
	$I_{PP}=11\text{A}$, $t_p=8/20\mu\text{s}$		--	13	--	
Off State Junction Capacitance	$V_{dc}=0$, $f=1\text{MHz}$, Between I/O pins and GND	C_J	--	1.5	2.5	pF

Notes:

1. $T_A=25^{\circ}\text{C}$ unless otherwise specified

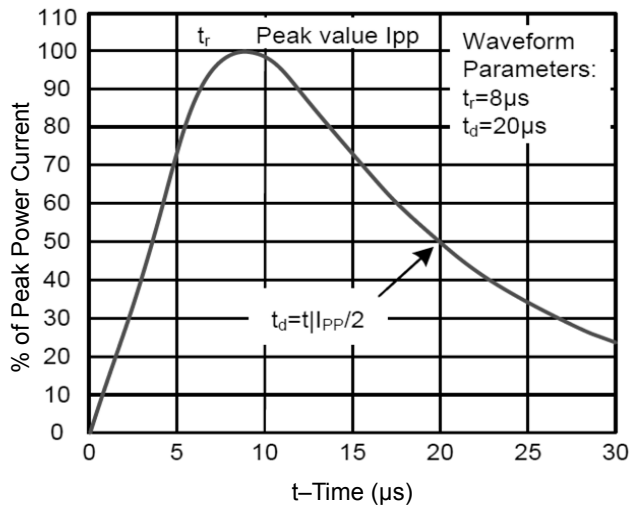
ESD Suppressor 3.3V 2-Bidirectional SOT-23

ME3V32B9V8S23

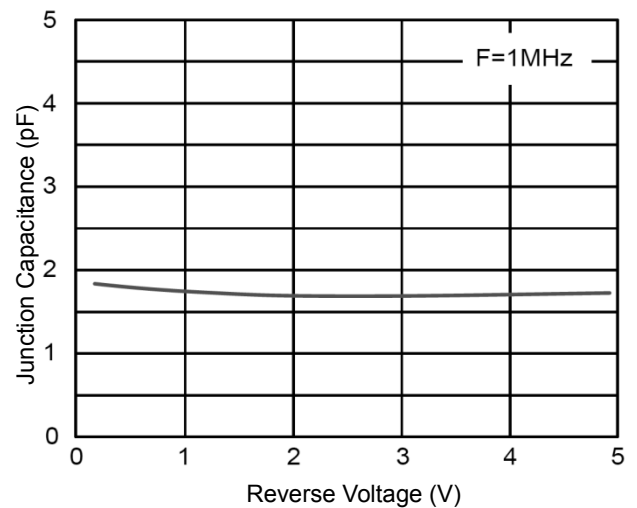
MERITEK

CHARACTERISTIC CURVES

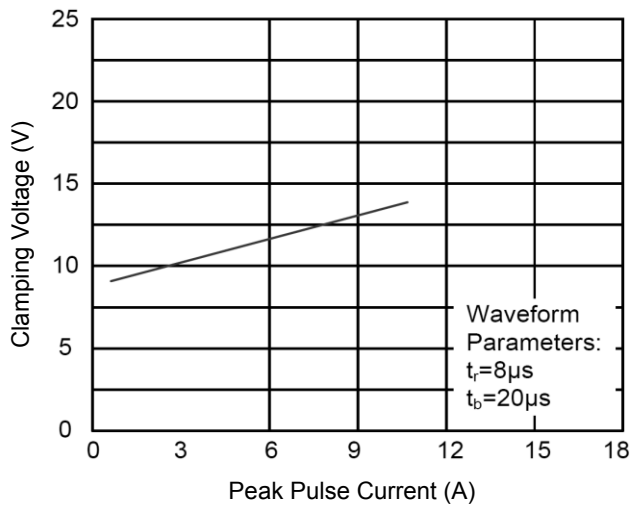
Pulse Waveforms



Capacitance Vs Reverse Voltage



Clamping Voltage Vs Peak Pulse Current



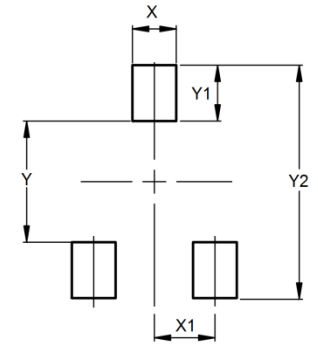
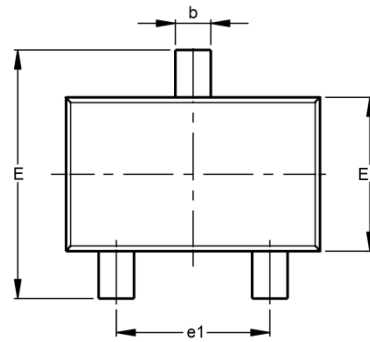
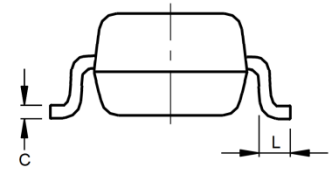
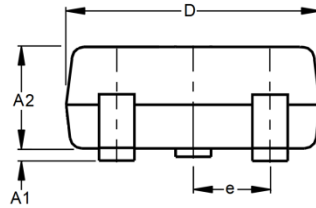
ESD Suppressor 3.3V 2-Bidirectional SOT-23

ME3V32B9V8S23

MERITEK

DIMENSIONS AND RECOMMENDED LAND PATTERN

Item	Min (mm)	Max (mm)
A1	0.08	0.18
A2	0.81	0.91
b	0.35	0.50
C	--	0.13
D	2.80	3.05
e	0.95	0.95
e1	1.90	1.90
E	2.10	2.49
E1	1.19	1.40
L	0.15	--
X	0.80	0.80
X1	1.35	1.35
Y	2.00	2.00
Y1	0.90	0.90
Y2	2.90	2.90



*Specifications subject to change without notice.