

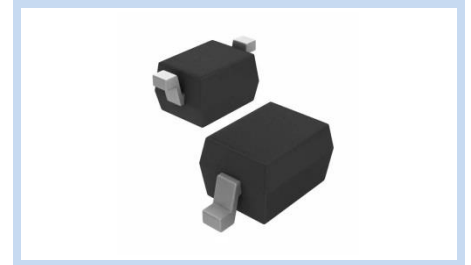
ESD Suppressor 36V Bidirectional SOD-323G

ME361B75S323G

MERITEK

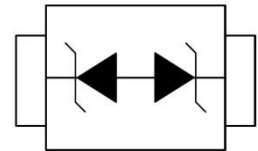
FEATURE

- IEC 61000-4-2 ESD: $\pm 15\text{KV}$ (Air) $\pm 8\text{KV}$ (Contact)
- ESD Protection for one Bidirectional Channel
- Low Leakage Current
- Low Clamping Voltage
- Solid-State Silicon-Avalanche Technology



APPLICATION

- Cellular Handsets & Accessories
- Personal Digital Assistants (PDAs)
- Notebooks & Handhelds
- Cordless Phones
- Peripherals
- MP3 players



MAXIMUM RATINGS AND CHARACTERISTICS

| Parameter | Symbol | Value | Unit |
|---------------------------------------|----------------|----------|--------------------|
| ESD Voltage (Contact discharge) | V_{ESD} | ± 8 | KV |
| ESD Voltage (Air discharge) | | ± 15 | |
| Peak Pulse Power ($t_p=8/20\mu s$) | P_{PP} | 320 | W |
| Operating & Storage Temperature Range | T_J, T_{STG} | -55~+150 | $^{\circ}\text{C}$ |

ELECTRICAL CHARACTERISTICS

| Parameter | Condition | Symbol | Min. | Typ. | Max. | Unit |
|--------------------------------|-----------------------------------|-----------|------|------|------|---------------|
| Reverse Stand-Off Voltage | -- | V_{RWM} | -- | -- | 36 | V |
| Reverse Breakdown Voltage | $I_{BR}=1\text{mA}$ | V_{BR} | 40 | -- | -- | V |
| Reverse Leakage Current | $V_R=36\text{V}$ | I_R | -- | -- | 1 | μA |
| Clamping Voltage | $I_{PP}=1\text{A}, t_p=8/20\mu s$ | V_C | -- | -- | 58 | V |
| | $I_{PP}=3\text{A}, t_p=8/20\mu s$ | | -- | -- | 75 | |
| Off State Junction Capacitance | $V_{dc}=0\text{V}, f=1\text{MHz}$ | C_J | -- | 70 | -- | pF |

Notes: $T_J=25^{\circ}\text{C}$ unless otherwise specified

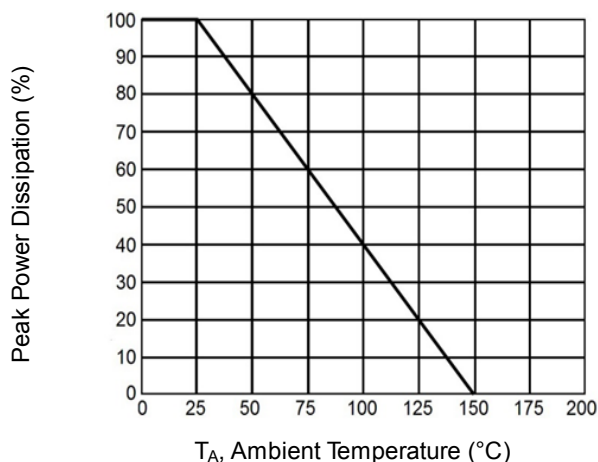
ESD Suppressor 36V Bidirectional SOD-323G

ME361B75S323G

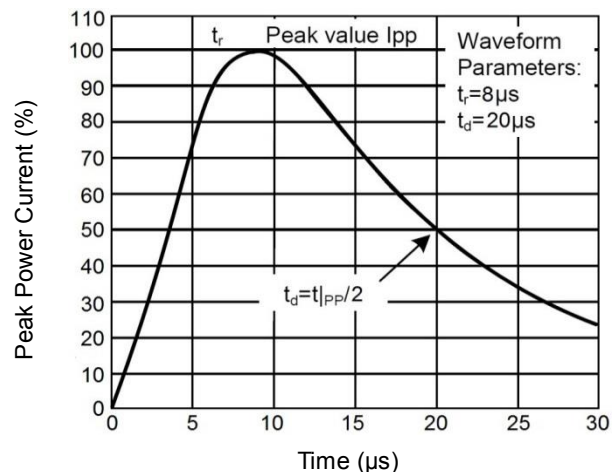
MERITEK

CHARACTERISTIC CURVES

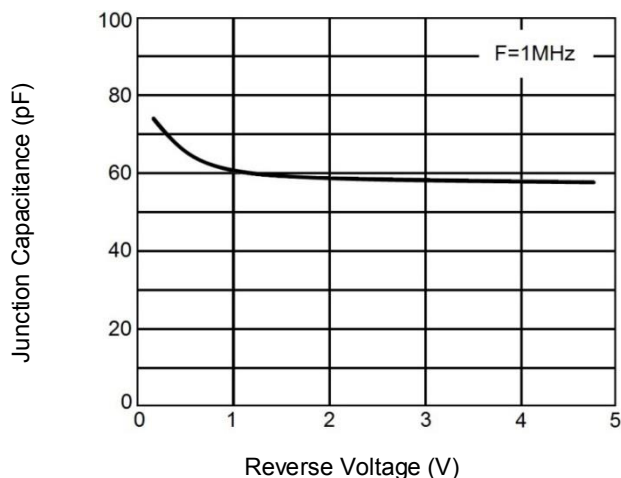
Derating Curve



Pulse Waveforms

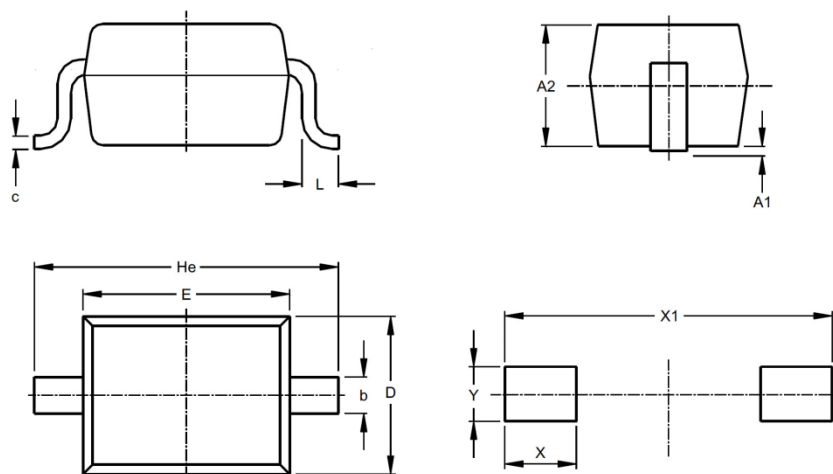


Capacitance vs. Reverse Voltage



DIMENSIONS AND RECOMMENDED LAND PATTERN

| Item | Min (mm) | Max (mm) |
|------|----------|----------|
| A | 0.80 | 1.10 |
| A1 | - | 0.10 |
| b | - | 0.35 |
| C | 0.11 | 0.20 |
| D | 1.15 | 1.35 |
| E | 1.60 | 1.80 |
| He | 2.40 | 2.60 |
| L | 0.20 | - |
| X | 0.50 | 0.50 |
| X1 | 2.80 | 2.80 |
| Y | 0.60 | 0.60 |



*Specifications subject to change without notice.