

ESD Suppressor

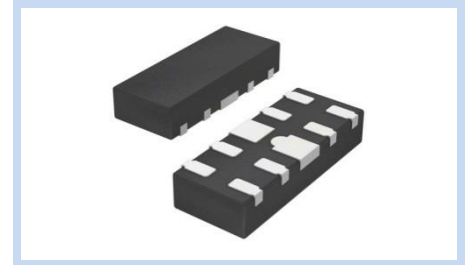
3.3V 4-Unidirectional DFN2510

ME3V34U8V5D2510

MERITEK

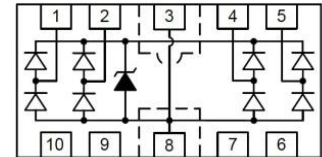
FEATURE

- IEC 61000-4-2 ESD: $\pm 25\text{KV}$ (Air) $\pm 20\text{KV}$ (Contact)
- ESD Protection for four Unidirectional Channels
- Low Leakage Current
- Low Clamping Voltage
- Solid-State Silicon-Avalanche Technology



APPLICATION

- High Definition Multimedia Interface (HDMI 1.4)
- Digital Visual Interface (DVI)
- Unified Display Interface (UDI)
- Display Port Interface
- MDDI Ports
- PCI Express



MAXIMUM RATINGS AND CHARACTERISTICS

Parameter	Symbol	Value	Unit
ESD Voltage (Contact discharge)	V_{ESD}	± 20	KV
ESD Voltage (Air discharge)		± 25	
Peak Pulse Current ($t_p=8/20\mu s$)	I_{PP}	4	A
Operating & Storage Temperature Range	T_J, T_{STG}	-55~+150	$^{\circ}\text{C}$

ELECTRICAL CHARACTERISTICS

Parameter	Condition	Symbol	Min.	Typ.	Max.	Unit
Reverse Stand-Off Voltage	--	V_{RWM}	--	--	3.3	V
Reverse Breakdown Voltage	$I_{BR}=1\text{mA}$	V_{BR}	4.5	--	--	V
Reverse Leakage Current	$V_R=3.3\text{V}$, Each I/O pin	I_R	--	--	1	μA
Clamping Voltage	$I_{PP}=1\text{A}$, $t_p=8/20\mu s$	V_C	--	--	8.5	V
	$I_{PP}=4\text{A}$, $t_p=8/20\mu s$		--	--	15	
Off State Junction Capacitance	$V_{dc}=0$, $f=1\text{MHz}$, I/O pin to GND	C_J	--	0.6	--	pF
	$V_{dc}=0$, $f=1\text{MHz}$, Between I/O pins		--	0.3	--	

Notes: $T_J=25^{\circ}\text{C}$ unless otherwise specified

ESD Suppressor

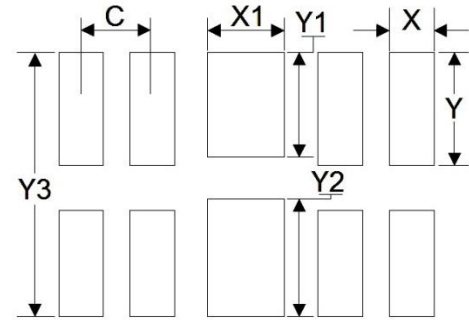
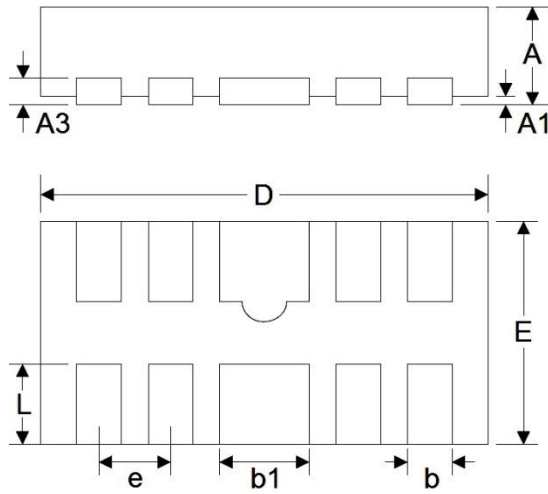
3.3V 4-Unidirectional DFN2510

ME3V34U8V5D2510

MERITEK

DIMENSIONS AND RECOMMENDED LAND PATTERN

Item	Min (mm)	Max (mm)
A	0.45	0.65
A1	-	0.05
A3	0.10	0.20
b	0.15	0.25
b1	0.35	0.45
D	2.40	2.60
e	0.50	0.50
E	0.90	1.10
L	0.35	0.45
C	0.50	0.50
X	0.25	0.25
X1	0.45	0.45
Y	0.63	0.63
Y1	0.58	0.58
Y2	0.70	0.70
Y3	1.40	1.40



*Specifications subject to change without notice.