

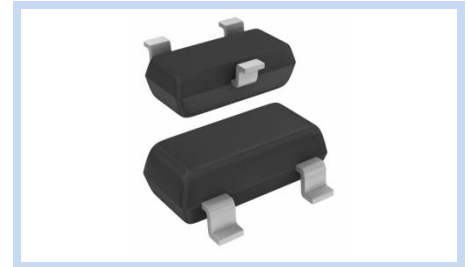
# ESD Suppressor 24V 2-Unidirectional SOT-23

ME242U35S23

MERITEK

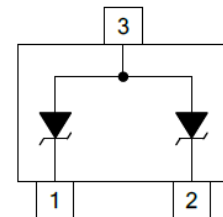
## FEATURE

- IEC 61000-4-2 ESD:  $\pm 18\text{KV}$  (Air)  $\pm 20\text{KV}$  (Contact)
- IEC 61000-4-4 EFT: 40A (5/50ns)
- IEC 61000-4-5 Lightning: 3A (8/20 $\mu\text{s}$ )
- ESD Protection for two Unidirectional Channels
- Low Clamping Voltage



## APPLICATION

- Set-Top Box
- Servers, Notebook, PC Desktop
- Portable Devices
- Industrial Control



## MAXIMUM RATINGS AND CHARACTERISTICS

Parameter	Symbol	Value	Unit
ESD Voltage (Contact discharge)	$V_{ESD}$	$\pm 20$	KV
ESD Voltage (Air discharge)		$\pm 18$	
Typical Thermal Resistance	$R_{\theta JA}$	350	$^{\circ}\text{C/W}$
Operating & Storage Temperature Range	$T_J, T_{STG}$	-55~+150	$^{\circ}\text{C}$

## ELECTRICAL CHARACTERISTICS

Parameter	Condition	Symbol	Min.	Typ.	Max.	Unit
Reverse Stand-Off Voltage	--	$V_{RWM}$	--	--	24	V
Reverse Breakdown Voltage	$I_{BR}=1\text{mA}$	$V_{BR}$	26.50	--	29.50	V
Reverse Leakage Current	$V_R=24.00\text{V}$	$I_R$	--	--	1	$\mu\text{A}$
Clamping Voltage	$I_{PP}=1\text{A}, t_p=8/20\mu\text{s}$	$V_C$	--	--	35	V
	$I_{PP}=3\text{A}, t_p=8/20\mu\text{s}$		--	--	45	
Off State Junction Capacitance	$V_{dc}=0, \text{Bias}, f=1\text{MHz}$	$C_J$	--	--	30	pF

Notes:

1.  $T_J=25^{\circ}\text{C}$  unless otherwise specified

2. Mounted on a FR4 PCB, Single-Sided Copper, Mini Pad

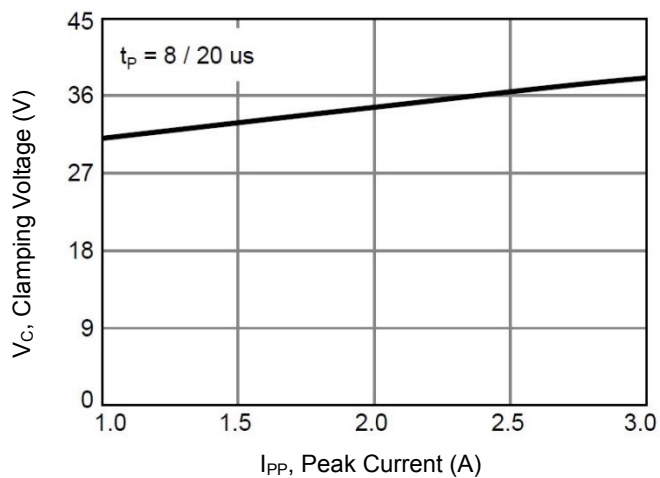
# ESD Suppressor 24V 2-Unidirectional SOT-23

ME242U35S23

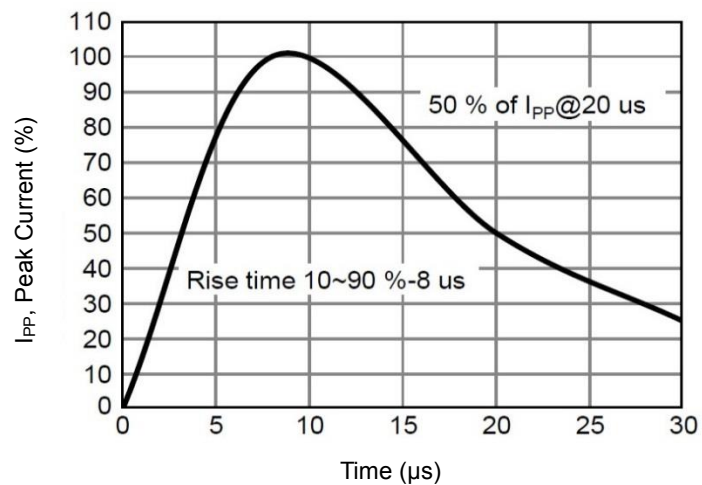
MERITEK

## CHARACTERISTIC CURVES

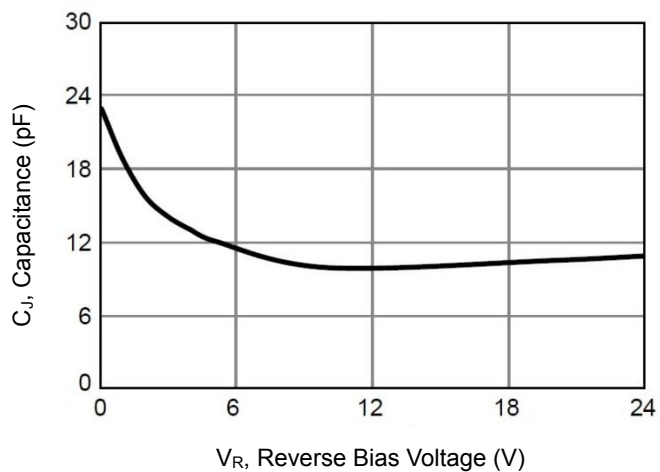
Typical Peak Clamping Voltage



Pulse Waveform



Typical Junction Capacitance



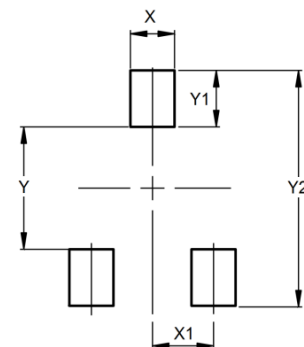
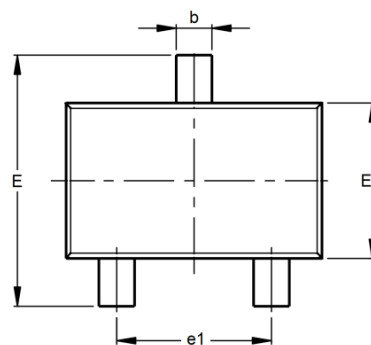
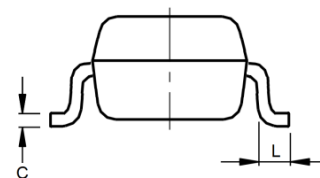
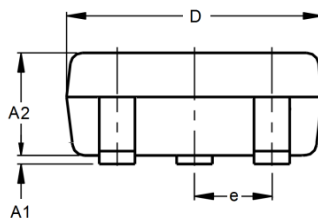
# ESD Suppressor 24V 2-Unidirectional SOT-23

ME242U35S23

MERITEK

## DIMENSIONS AND RECOMMENDED LAND PATTERN

Item	Min (mm)	Max (mm)
A1	0.08	0.20
A2	0.82	0.90
b	0.35	0.50
C	0.00	0.10
D	2.80	3.04
e	--	--
e1	1.80	2.00
E	2.20	2.60
E1	1.20	1.40
L	0.15	--
X	0.80	0.80
X1	1.35	1.35
Y	2.90	2.90
Y1	0.90	0.90
Y2	2.00	2.00



\*Specifications subject to change without notice.