

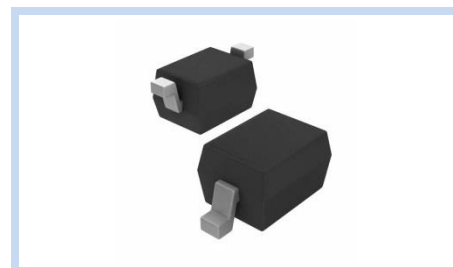
# ESD Suppressor 15V/24V Bidirectional SOD-323G

ME15241BS323G

MERITEK

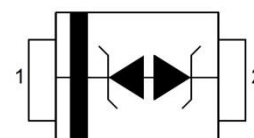
## FEATURE

- IEC 61000-4-2 ESD:  $\pm 15\text{KV}$  (Air)  $\pm 8\text{kV}$  (Contact)
- ESD Protection for one Bidirectional Channel
- Low Leakage Current
- Low Clamping and Operating Voltage
- Solid-State Silicon-Avalanche Technology



## APPLICATION

- LIN Bus Protection
- Automotive Applications
- Peripherals
- Notebooks & Handhelds



## MAXIMUM RATINGS AND CHARACTERISTICS

Parameter	Symbol	Value	Unit
ESD Voltage (Contact discharge)	$V_{ESD}$	$\pm 8$	KV
ESD Voltage (Air discharge)		$\pm 15$	
Operating & Storage Temperature Range	$T_J, T_{STG}$	$-55 \sim +150$	$^{\circ}\text{C}$

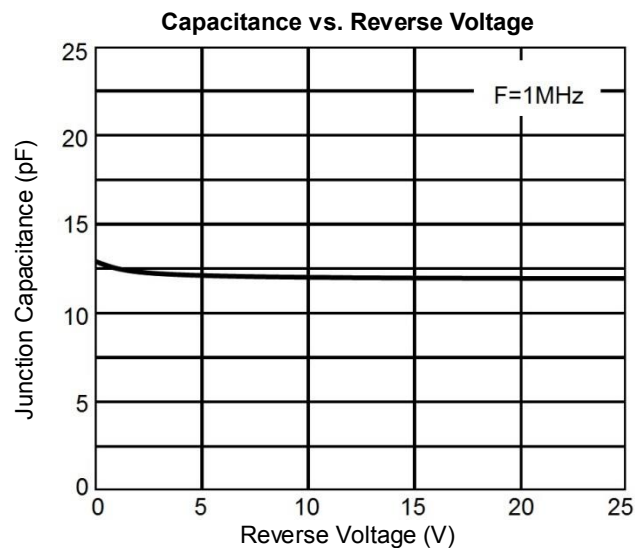
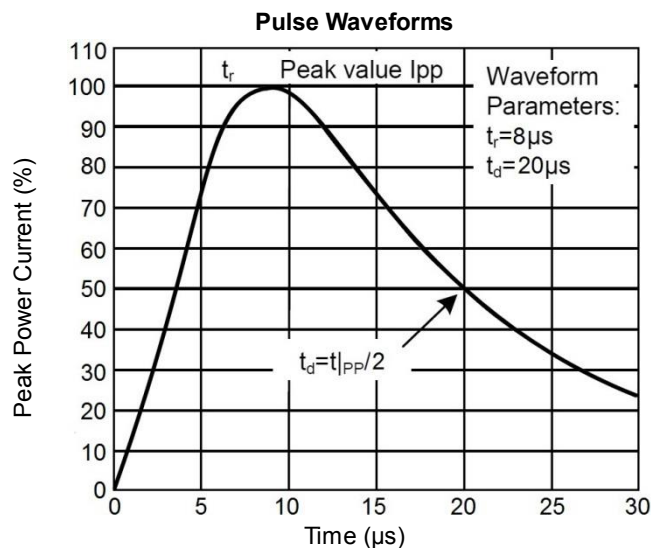
## ELECTRICAL CHARACTERISTICS

Parameter	Condition	Symbol	Min.	Typ.	Max.	Unit
Reverse Stand-Off Voltage	Pin 1 to Pin 2	$V_{RWM}$	--	--	15	V
	Pin 2 to Pin 1		--	--	24	
Reverse Breakdown Voltage	$I_{BR}=1\text{mA}$ , Pin 1 to Pin 2	$V_{BR}$	16.5	--	--	V
	$I_{BR}=1\text{mA}$ , Pin 2 to Pin 1		25.4	--	--	
Reverse Leakage Current	$V_R=15\text{V}$ , Pin 1 to Pin 2	$I_R$	--	--	1	$\mu\text{A}$
	$V_R=24\text{V}$ , Pin 2 to Pin 1		--	--	1	
Clamping Voltage	$I_{PP}=5\text{A}$ , $t_p=8/20\mu\text{s}$ , Pin 1 to Pin 2	$V_C$	--	--	44	V
	$I_{PP}=3\text{A}$ , $t_p=8/20\mu\text{s}$ , Pin 2 to Pin 1		--	--	70	
Off State Junction Capacitance	$V_{dc}=0$ , $f=1\text{MHz}$	$C_J$	--	13	20	pF

Notes:

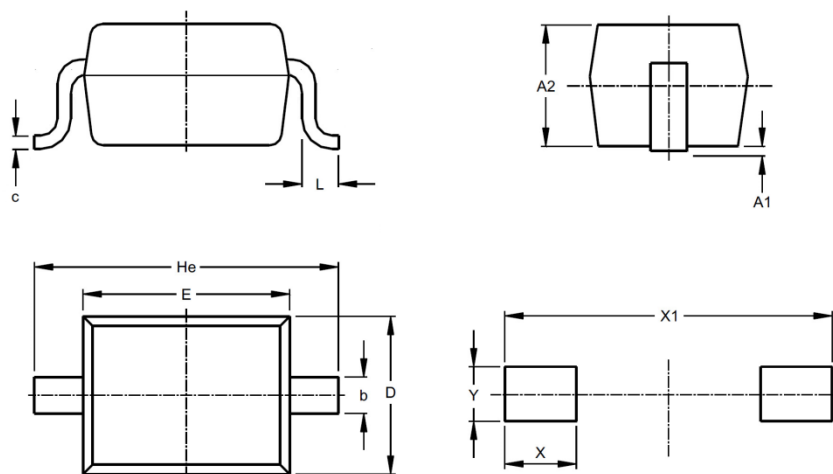
1.  $T_J=25^{\circ}\text{C}$  unless otherwise specified

**CHARACTERISTIC CURVES**



**DIMENSIONS AND RECOMMENDED LAND PATTERN**

Item	Min (mm)	Max (mm)
A	0.80	1.10
A1	-	0.10
b	-	0.35
C	0.11	0.20
D	1.15	1.35
E	1.60	1.80
He	2.40	2.60
L	0.20	-
X	0.50	0.50
X1	2.80	2.80
Y	0.60	0.60



\*Specifications subject to change without notice.