

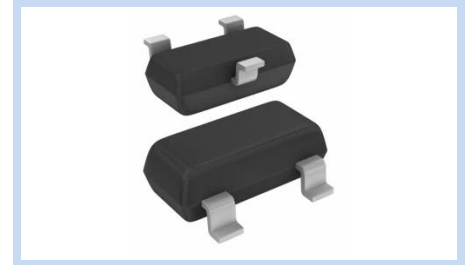
ESD Suppressor 12V 2-Unidirectional SOT-23

ME122U24S23

MERITEK

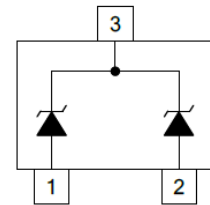
FEATURE

- IEC 61000-4-2 ESD: $\pm 15\text{KV}$ (Air) $\pm 8\text{KV}$ (Contact)
- ESD Protection for two Unidirectional Channels
- Working Peak Reverse Voltage of 12V
- Maximum Leakage Current of 100nA at V_{RWM}



APPLICATION

- Instrumentation Equipment
- Computer Monitor Interface Port Protection
- Portable Devices
- Data Transmission Line Ports



MAXIMUM RATINGS AND CHARACTERISTICS

Parameter	Symbol	Value	Unit
ESD Voltage (Contact discharge)	V_{ESD}	± 8	KV
ESD Voltage (Air discharge)		± 15	
ESD Voltage (HBM)		> 25	
Power Dissipation	P_D	150	W
Peak Pulse Power ($t_p=8/20\mu s$)	P_{PP}	150	W
Peak Pulse Power ($t_p=10/1000\mu s$)	P_{PP}	25	W
Operating Temperature Range	T_J	$-55 \sim +125$	$^{\circ}\text{C}$
Storage Temperature Range	T_{STG}	$-55 \sim +150$	$^{\circ}\text{C}$
Lead Soldering Temperature (Max 10sec)	T_L	260	$^{\circ}\text{C}$

ELECTRICAL CHARACTERISTICS

Parameter	Condition	Symbol	Min.	Typ.	Max.	Unit
Reverse Stand-Off Voltage	--	V_{RWM}	--	--	12.00	V
Reverse Breakdown Voltage	$I_{BR}=1\text{mA}$	V_{BR}	14.30	--	15.80	V
Reverse Leakage Current	$V_R=12.00\text{V}$	I_R	--	--	100.00	nA
Clamping Voltage	$I_{PP}=6\text{A}$, $t_p=8/20\mu s$	V_C	--	--	24.00	V
	$I_{PP}=1\text{A}$, $t_p=10/1000\mu s$		--	--	23.00	
Off State Junction Capacitance	$V_{dc}=0$, Bias, $f=1\text{MHz}$, Between I/O pins to pin 3	C_J	--	--	80.00	pF

Notes:

1. $T_J=25^{\circ}\text{C}$ unless otherwise specified

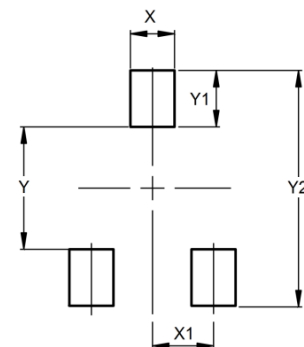
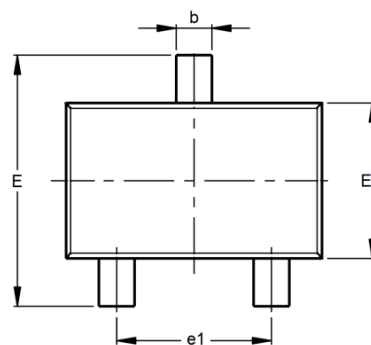
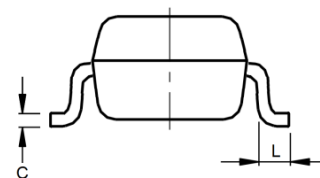
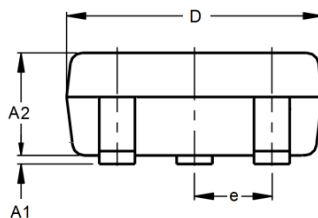
ESD Suppressor 12V 2-Unidirectional SOT-23

ME122U24S23

MERITEK

DIMENSIONS AND RECOMMENDED LAND PATTERN

Item	Min (mm)	Max (mm)
A1	0.08	0.20
A2	0.82	0.90
b	0.35	0.50
C	0.00	0.10
D	2.80	3.04
e	--	--
e1	1.80	2.00
E	2.20	2.60
E1	1.20	1.40
L	0.15	--
X	0.80	0.80
X1	1.35	1.35
Y	2.90	2.90
Y1	0.90	0.90
Y2	2.00	2.00



*Specifications subject to change without notice.