

Signal Inductor Air Wound Coil Type

SIA-01P, 02P Series



MERITEK

PART NUMBERING SYSTEM

SIA 2N50 K 291 01P
(1) (2) (3) (4) (5)

No	item	Digit	Description	Series Reference
(1)	Meritek Series	SIA	Signal Inductor	Air Wound Coil type
(2)	Inductance or Turns	2N50	2N50: 2.50nH	15N7:15.7nH, 151: 150nH, N denoted to decimal
(3)	Tolerance	K	±10%	J: ±5%, M: ±20%, N:±30%, G: ±2%
(4)	Size Code	291	2.92x3.05x3.18mm	Dimension information or Size Code
(5)	Package Code	01P	Package Information	Package or customer Project reference

PACKAGE CODE REFERENCE TABLE

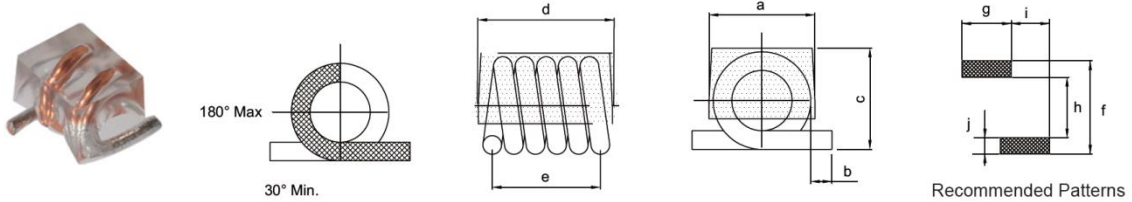
Series	Size	Picture	Inductance	Rated Current
SIA-29101P	2.92x3.05x3.18mm		2.5nH~18.5nH	4.0A
SIA-29102P	5.84x3.05x3.18mm		17.5~43nH	4.0A

Signal Inductor Air Wound Coil Type

SIA-01P, 02P Series

MERITEK

SIA-29101P series DIMENSION



Package	a	b	c	d	e	f	g	h	i	j
29101P	3.05 (Max)	0.58±0.38	3.18 (Max)	3.68 (Max)	2.92±0.25	4.19	3.30	1.65	2.79	1.27

Unit: mm

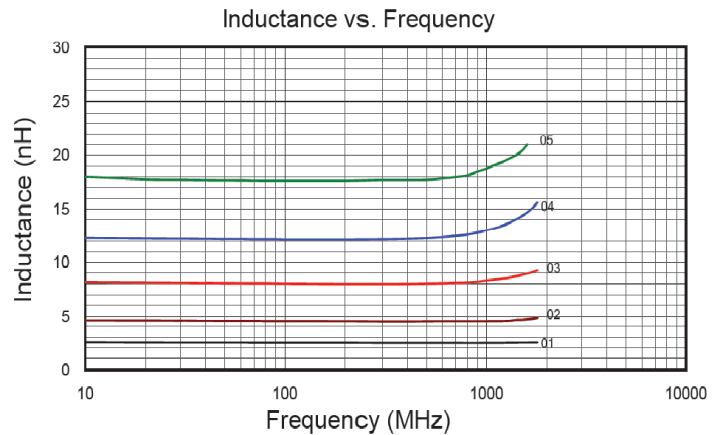
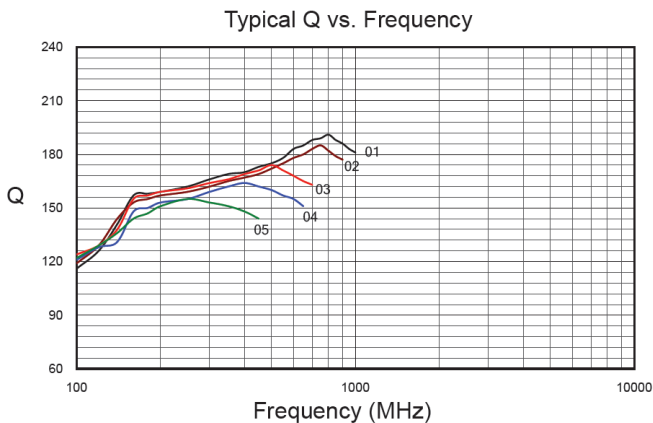
ELECTRICAL CHARACTERISTIC

Part Number	Turns	Inductance (nH)	Tolerance (± %)	Min Q	Test Freq. (MHz)	Max DCR (mΩ)	Min SRF (GHz)	Max Rated Current (A)
SIA2N50□29101P	1	2.50	K	145	150	1.1	12.5	4
SIA5N00□29101P	2	5.00	K,J	140	150	1.8	6.5	4
SIA8N00□29101P	3	8.00	G,J	140	150	2.6	5	4
SIA12N5□29101P	4	12.5	G,J	137	150	3.4	3.3	4
SIA18N5□29101P	5	18.5	G,J	132	150	3.9	2.5	4

NOTES:

- (Tolerance: G: ± 2%, J: ± 5%, K: ± 10%)
- Operating temperature range: -40°C to +125°C.
- Storage Temp. : -40°C to +85°C.
- MSL: Level 1
- Test Equipment: L/Q: HP-4291B With HP16193A test fixture or equivalent. SRF: HP8753E or equivalent. RDC: Chroma 16502 or equivalent.

CHARACTERISTIC CURVE



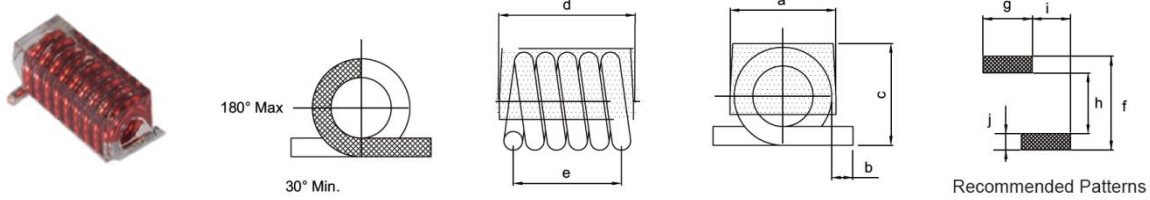
Signal Inductor Air Wound Coil Type

SIA-01P, 02P Series

MERITEK

SIA-29102P series

DIMENSION



Unit: mm

Package	a	b	c	d	e	f	g	h	i	j
29102P	3.05 (Max)	0.58±0.38	3.18 (Max)	6.86 (Max)	5.84±0.25	7.24	3.30	4.70	2.79	1.27

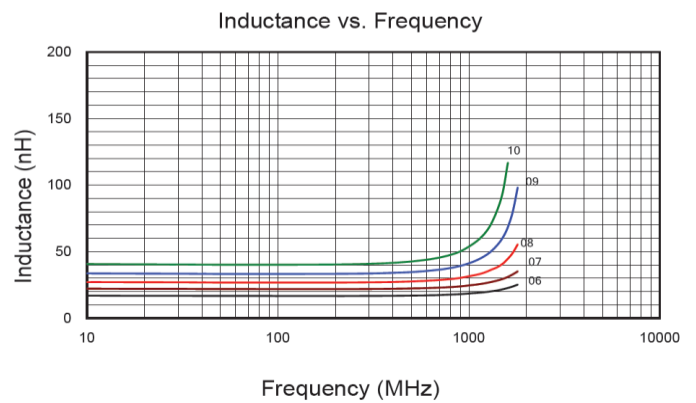
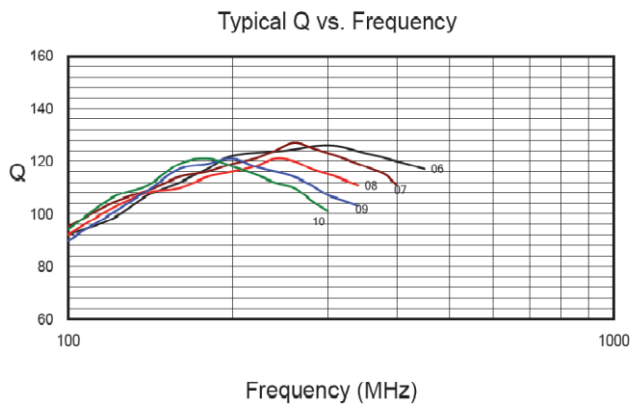
ELECTRICAL CHARACTERISTIC

Part Number	Turns	Inductance (nH)	Tolerance (± %)	Min Q	Test Freq. (MHz)	Max DCR (mΩ)	Min SRF (GHz)	Max Rated Current (A)
SIA17N5□29102P	6	17.5	G,J	100	150	4.5	2.2	4
SIA22N0□29102P	7	22.0	G,J	102	150	5.2	2.1	4
SIA28N0□29102P	8	28.0	G,J	105	150	6	1.8	4
SIA35N5□29102P	9	35.5	G,J	112	150	6.8	1.5	4
SIA43N0□29102P	10	43.0	G,J	106	150	7.9	1.2	4

NOTES:

- (Tolerance: G: ± 2%, J: ± 5%)
- Operating temperature range: -40°C to +125°C.
- Storage Temp. : -40°C to +85°C.
- MSL: Level 1
- Test Equipment: L/Q: HP-4291B With HP16193A test fixture or equivalent. SRF: HP8753E or equivalent. RDC: Chroma 16502 or equivalent.

CHARACTERISTIC CURVE



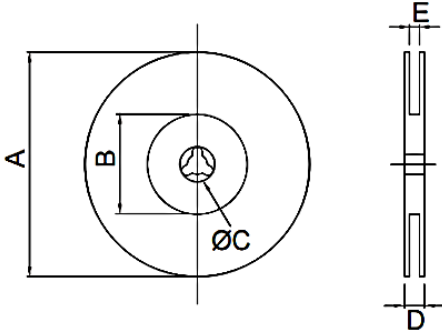
Signal Inductor Air Wound Coil Type

SIA-01P, 02P Series

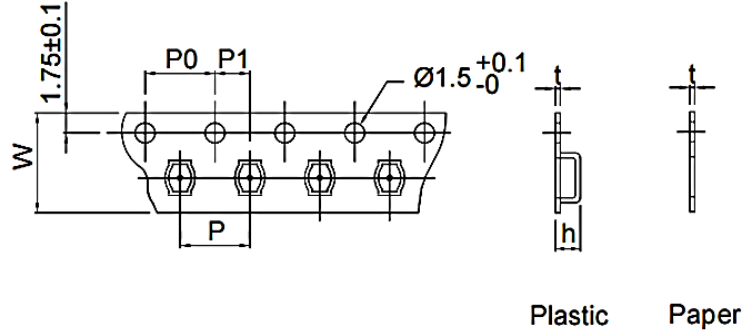
MERITEK

PACKAGING SPECIFICATION

CARRIER TAPE REELS



TAPE DIMENSIONS (mm)



SIA Series	Reel Dimension (mm)					Tape Dimensions (mm)						Parts Per Reel		Quantity per	
	A	B	C	D	E	W	P	P0	P1	h	t	7"	13"	Box	Carton
080609P	180	50	13	16.4	12.5	12	4	4	2	1.75	0.23	2,000	-	8,000	48,000
080709P	180	50	13	16.4	12.5	12	4	4	2	1.86	0.23	2,000	-	8,000	48,000
090809P	180	50	13	16.4	12.5	12	4	4	2	2.1	0.25	2,000	-	8,000	48,000
29101P	180	75	13	16.5	12.5	12	8	4	2	3.30	0.25	500	-	2,000	12,000
29102P	180	75	13	20.5	16.5	16	8	4	2	3.30	0.25	500	-	1,500	9,000
29305P	340	100	13	25.5	16.5	16	12	4	2	4.40	0.30	-	1,000	1,000	10,000
29406P	340	100	13	30.4	24.5	24	12	4	2	5.30	0.35	-	1,000	1,000	8,000
29203P	180	75	13	12.5	8.4	8	4	4	2	1.7	0.30	2,000	-	10,000	60,000
29204P	180	50	13	18.4	12.4	12	4	4	2	1.75	0.35	2,000	-	6,000	36,000