

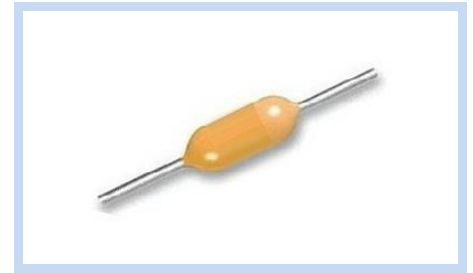
Multilayer Ceramic Capacitors Axial Leaded Epoxy Coated type

AD Series

MERITEK

FEATURE

- Miniature size, wide capacitance, tape and reel available for auto-placement. Cost effective products
- Excellent humidity resistance and prevents body from damaging during soldering and washing.
- Industry standard sizes and various lead spacing available.
- Flame retardant epoxy resin in accordance with UL 94 V0



PART NUMBERING SYSTEM



AD 10 CG 121 J 500 AR
(1) (2) (3) (4) (5) (6) (7)

No	Item	Code	Description	Series Reference
(1)	Meritek Series	AD	Multilayer Ceramic Capacitor	Axial Leaded Epoxy coated type
(2)	Size	10	10: 0.15 in	20:0.2 inch
(3)	Ceramic Dielectric	CG	CG:NPO	CG: NPO, XR: X7R, YV: Y5V
(4)	Capacitance	121	104: 120pF	First two digit: significant, Third: Multiplier
(5)	Tolerance	J	J:±5%,	K: ±10%, M: ±20%, Z: -20% ~ +80%
(6)	Rated Voltage	500	500: 50V	First two digit: significant, Third: Multiplier
(7)	Packaging type	AR	AR: Axial Tape & Reel	BR: Axial Tape & Box

ELECTRICAL CHARACTERISTICS

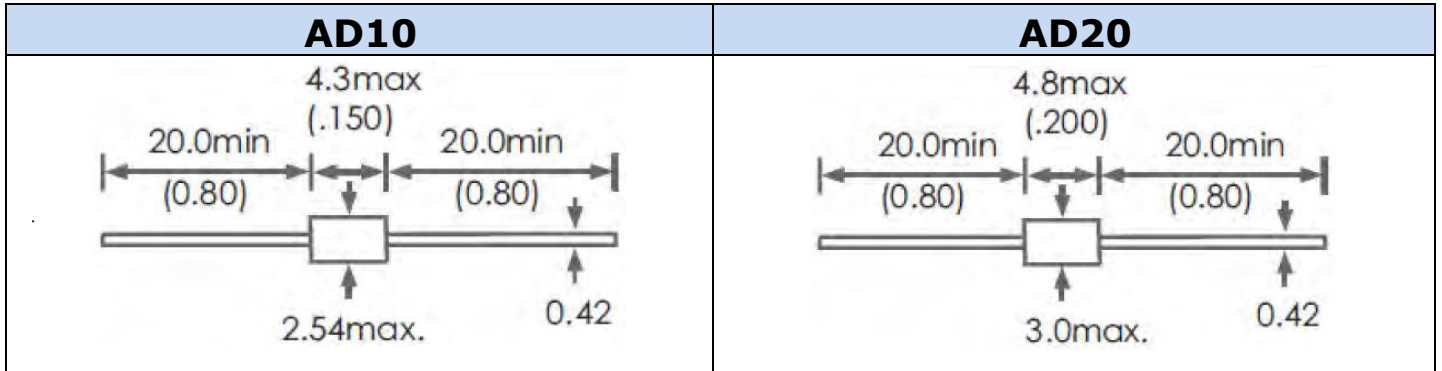
Item	NPO	X7R	Y5V
Temperature Characteristic	0 ± 30 PPM/°C, -55°C ~ 125°C	ΔC ±15%, -55°C ~ 125°C	ΔC -80% ~ +30%, -25°C ~ 85°C
Operating Temperature Range	-55°C to + 125°C	-55°C to +125°C	-25°C to +85°C
Measuring Conditions for Capacitance and D.F.	1 MHz, 1 Vrms	1 KHz, 1 Vrms	1 KHz, 0.5 Vrms
Dissipation Factor (D.F.)	0.1% Max.	2.5% Max.	3.0% Max.
Insulation Resistance	100GΩ	10GΩ	10GΩ
Dielectric Withstanding Voltage	3 X Rated Voltage	2.5 x Rated Voltage	2.5 x Rated Voltage

Multilayer Ceramic Capacitors Axial Leded Epoxy Coated type

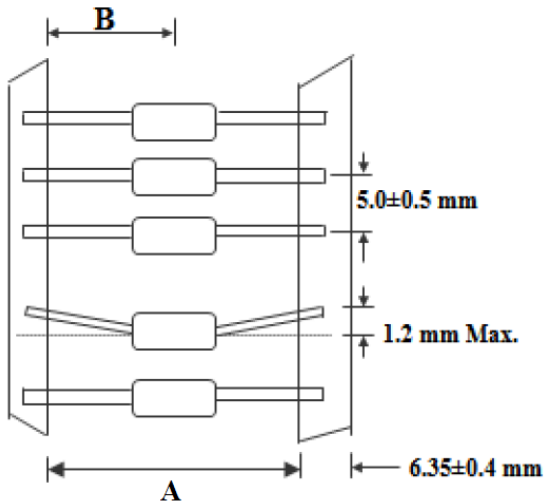
AD Series

MERITEK

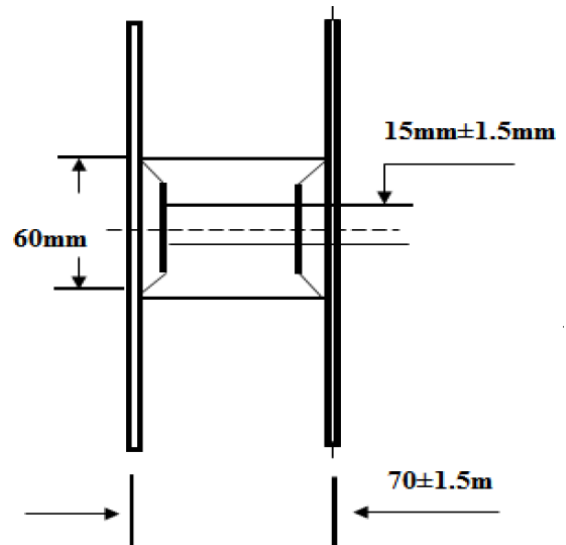
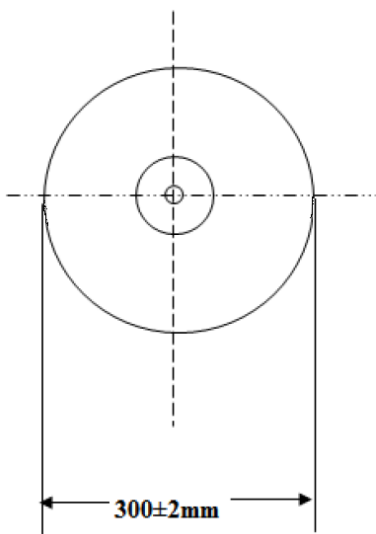
Dimension



Package



Lead Style	A	B
Tape Width	$26 \pm 1.5 \text{ mm}$	$13 \pm 0.76 \text{ mm}$
Tape Width	$52.4 \pm 1.5 \text{ mm}$	$26.2 \pm 0.76 \text{ mm}$



*Specifications subject to change without notice.