



FEATURE

- Rugged Ceramic-Metal Construction
- Available With Fail-Safe Clip
- Available With Or Without Leads
- Available With Various Lead Spacing
- Low capacitance (< 2pF)
- Large Transient Current Absorbing Capability

UL E223045



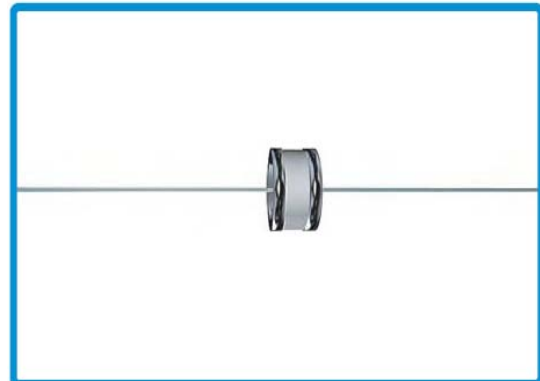
APPLICATIONS

- Repeaters, Modems
- Telephone Interface, Line Cards
- Data Communication Equipment
- Line Test Equipment



CHARACTERISTICS

- Two or three electrodes
- Discharge voltage: 75V to 800V
- 5.5mm or 8mm diameter



Gas Discharge Tube



MGT Series

MERITEK

PART NUMBERING SYSTEM

	MGT		D	G	075	M	C	A	3
Meritek Series									
Shape									
CODE	SHAPE	CODE	SHAPE						
A		B							
D		F							
K		M							
H		S							
N		T							
Electrical Characteristics									
	AC DISCHARGE CURRENT (A)	SURGE DISCHARGE CURRENT @ 10/1000 μs (A)	SURGE DISCHARGE CURRENT @ 8/20 μs (KA)						
G	2	50	2						
L	5	100	5						
M	10	100	10						
P	20	200	20						
R	40	400	40						
DC Breakage Voltage (V)									
Tolerance									
CODE	L	M							
Tolerance	±15%	±20%							
Type									
CODE	F	C							
Type	Gas Tube with Fail Safe Plate	Ceramic Gas Tube							
Subversion									
Dimension Unit (mm)									
CODE	DIMENSIONS	CODE	DIMENSIONS						
3	4.5x3.2x2.7	D	Φ 6x8.5						
5	Φ 5.5x6	E	Φ 8x10						
8	Φ 8x6	H	Φ 5x5x7.6						
A	Φ 7.5x11.5	R	Φ 7.5x8x6						
M	Φ 5.4x5.4x5								

Gas Discharge Tube

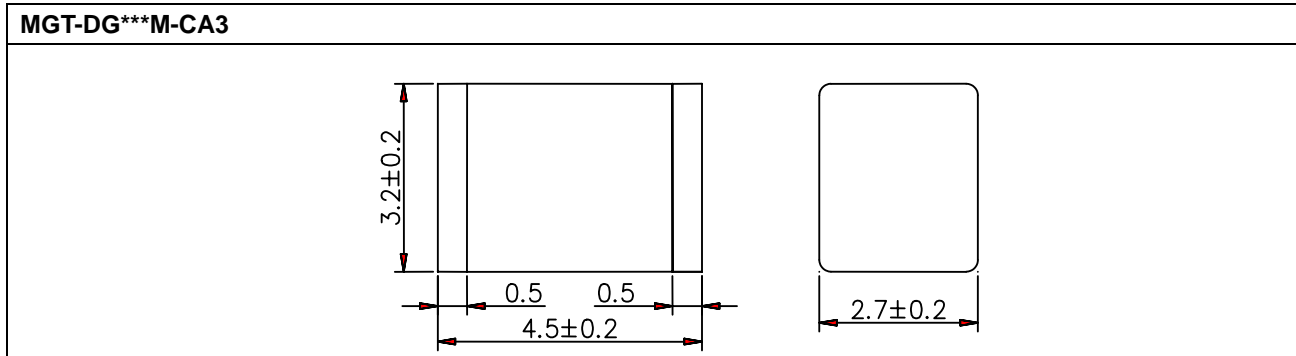


MGT Series

MERITEK

ELECTRODE ARRESTERS (4.5x3.2x2.7)

Dimensions: mm



Model Number	DC Breakdown Voltage (@100V/S) (V)	Tolerance of DCBV	Impulse Breakdown Voltage (@1000V/μs) (V)	AC Discharge Current (@50Hz) (A)	Surge Discharge Current (@10/1000μs) (A)	Surge Discharge Current (@8/20μs) (KA)	Insulation Resistance (MΩ)	Electrode Capacitance (@1MHz) (pF)
MGT-DG090M-CA3	90	±20%	≤700	2	50	2	≥1000	≤1
MGT-DG150M-CA3	150	±20%	≤700	2	50	2	≥1000	≤1
MGT-DG230M-CA3	230	±20%	≤700	2	50	2	≥1000	≤1
MGT-DG250M-CA3	250	±20%	≤800	2	50	2	≥1000	≤1
MGT-DG300M-CA3	300	±20%	≤900	2	50	2	≥1000	≤1
MGT-DG350M-CA3	350	±20%	≤900	2	50	2	≥1000	≤1
MGT-DG400M-CA3	400	±20%	≤1000	2	50	2	≥1000	≤1
MGT-DG420M-CA3	420	±20%	≤1000	2	50	2	≥1000	≤1
MGT-DG470M-CA3	470	±20%	≤1000	2	50	2	≥1000	≤1
MGT-DG600M-CA3	600	±20%	≤1200	2	50	2	≥1000	≤1

Gas Discharge Tube

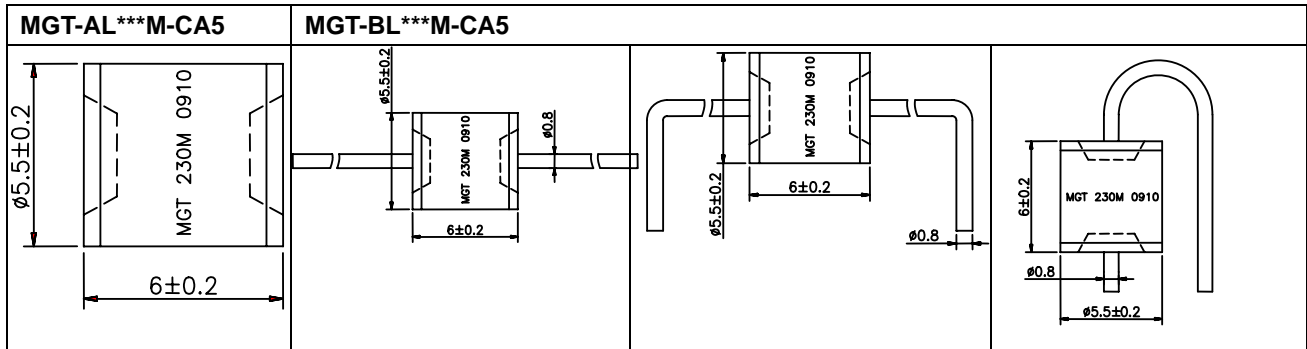


MGT Series

MERITEK

ELECTRODE ARRESTERS (φ5.5×6)

Dimensions: mm



Model Number	DC Breakdown Voltage (@100V/S) (V)	Tolerance of DCBV	Impulse Breakdown Voltage (@1000V/μs) (V)	AC Discharge Current (@50Hz) (A)	Surge Discharge Current (@10/1000μs) (A)	Surge Discharge Current (@8/20μs) (KA)	Insulation Resistance (MΩ)	Electrode Capacitance (@1MHz) (pF)
MGT-*L075M-CA5	75	±20%	≤650	5	100	5	≥10000	≤1.5
MGT-*L090M-CA5	90	±20%	≤650	5	100	5	≥10000	≤1.5
MGT-*L150M-CA5	150	±20%	≤650	5	100	5	≥10000	≤1.5
MGT-*L230M-CA5	230	±20%	≤700	5	100	5	≥10000	≤1.5
MGT-*L250M-CA5	250	±20%	≤800	5	100	5	≥10000	≤1.5
MGT-*L300M-CA5	300	±20%	≤900	5	100	5	≥10000	≤1.5
MGT-*L350M-CA5	350	±20%	≤900	5	100	5	≥10000	≤1.5
MGT-*L400M-CA5	400	±20%	≤1000	5	100	5	≥10000	≤1.5
MGT-*L420M-CA5	420	±20%	≤1000	5	100	5	≥10000	≤1.5
MGT-*L470M-CA5	470	±20%	≤1000	5	100	5	≥10000	≤1.5
MGT-*L600M-CA5	600	±20%	≤1200	5	100	5	≥10000	≤1.5
MGT-*L800M-CA5	800	±20%	≤1400	5	100	5	≥10000	≤1.5
MGT-*L102M-CA5	1000	±20%	≤1600	5	100	5	≥10000	≤1.5

Gas Discharge Tube

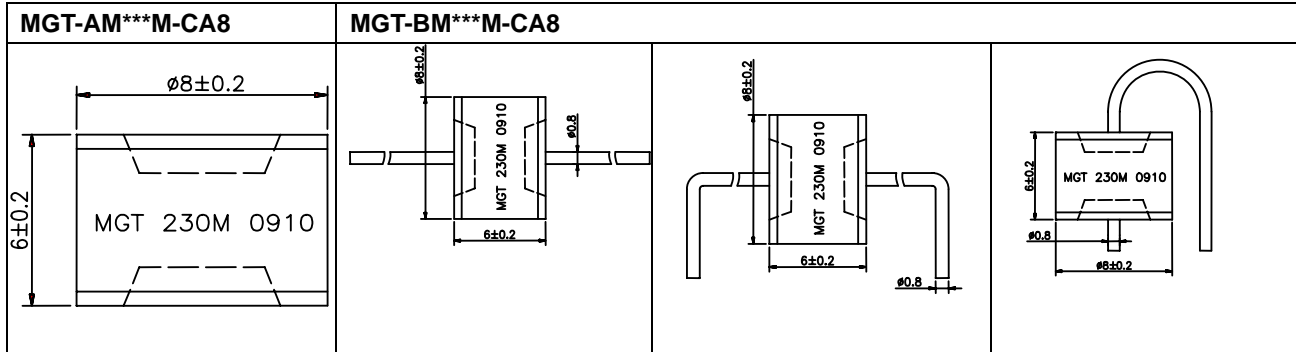


MGT Series

MERITEK

ELECTRODE ARRESTERS (Φ8×6)

Dimensions: mm



Model Number	DC Breakdown Voltage (@100V/S) (V)	Tolerance of DCBV	Impulse Breakdown Voltage (@1000V/μs) (V)	AC Discharge Current (@50Hz) (A)	Surge Discharge Current (@10/1000μs) (A)	Surge Discharge Current (@8/20μs) (KA)	Insulation Resistance (MΩ)	Electrode Capacitance (@1MHz) (pF)
MGT-*M075M-CA8	75	±20%	≤650	10	100	10	≥10000	≤1.5
MGT-*M090M-CA8	90	±20%	≤650	10	100	10	≥10000	≤1.5
MGT-*M150M-CA8	150	±20%	≤650	10	100	10	≥10000	≤1.5
MGT-*M230M-CA8	230	±20%	≤700	10	100	10	≥10000	≤1.5
MGT-*M250M-CA8	250	±20%	≤800	10	100	10	≥10000	≤1.5
MGT-*M300M-CA8	300	±20%	≤900	10	100	10	≥10000	≤1.5
MGT-*M350M-CA8	350	±20%	≤900	10	100	10	≥10000	≤1.5
MGT-*M400M-CA8	400	±20%	≤1000	10	100	10	≥10000	≤1.5
MGT-*M420M-CA8	420	±20%	≤1000	10	100	10	≥10000	≤1.5
MGT-*M470M-CA8	470	±20%	≤1000	10	100	10	≥10000	≤1.5
MGT-*M600M-CA8	600	±20%	≤1200	10	100	10	≥10000	≤1.5
MGT-*M800M-CA8	800	±20%	≤1400	10	100	10	≥10000	≤1.5
MGT-*M102M-CA8	1000	±20%	≤1600	10	100	10	≥10000	≤1.5

Gas Discharge Tube

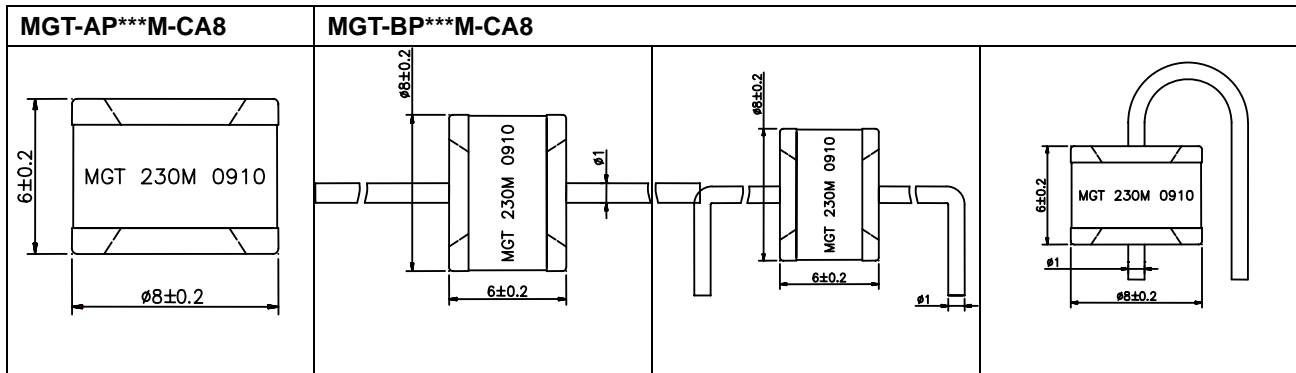


MGT Series

MERITEK

ELECTRODE ARRESTERS (Φ8×6)

Dimensions: mm



Model Number	DC Breakdown Voltage (@100V/S) (V)	Tolerance of DCBV	Impulse Breakdown Voltage (@1000V/μs) (V)	AC Discharge Current (@50Hz) (A)	Surge Discharge Current (@10/1000μs) (A)	Surge Discharge Current (@8/20μs) (KA)	Insulation Resistance (MΩ)	Electrode Capacitance (@1MHz) (pF)
MGT-*P075M-CA8	75	±20%	≤650	10	200	20	≥10000	≤1.5
MGT-*P090M-CA8	90	±20%	≤650	10	200	20	≥10000	≤1.5
MGT-*P150M-CA8	150	±20%	≤650	20	200	20	≥10000	≤1.5
MGT-*P230M-CA8	230	±20%	≤700	20	200	20	≥10000	≤1.5
MGT-*P250M-CA8	250	±20%	≤800	20	200	20	≥10000	≤1.5
MGT-*P300M-CA8	300	±20%	≤900	20	200	20	≥10000	≤1.5
MGT-*P350M-CA8	350	±20%	≤900	20	200	20	≥10000	≤1.5
MGT-*P400M-CA8	400	±20%	≤1000	20	200	20	≥10000	≤1.5
MGT-*P420M-CA8	420	±20%	≤1000	20	200	20	≥10000	≤1.5
MGT-*P470M-CA8	470	±20%	≤1000	20	200	20	≥10000	≤1.5
MGT-*P600M-CA8	600	±20%	≤1200	20	200	20	≥10000	≤1.5
MGT-*P800M-CA8	800	±20%	≤1400	20	200	20	≥10000	≤1.5
MGT-*P102M-CA8	1000	±20%	≤1600	20	200	20	≥10000	≤1.5

Gas Discharge Tube

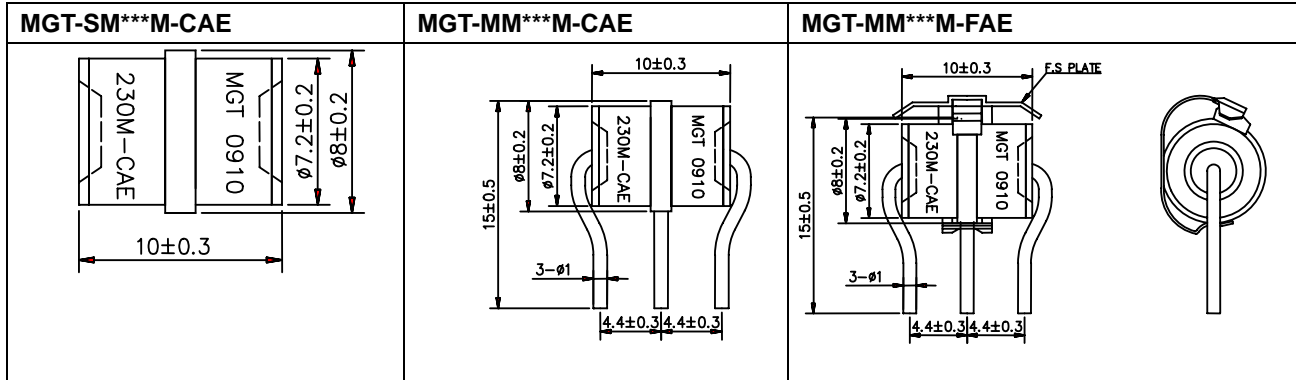


MGT Series

MERITEK

ELECTRODE ARRESTERS (Φ8x10)

Dimensions: mm



Model Number	DC Breakdown Voltage (@100V/S) (V)	Tolerance of DCBV	Impulse Breakdown Voltage (@1000V/μs) (V)	AC Discharge Current (@50Hz) (A)	Surge Discharge Current (@10/1000μs) (A)	Surge Discharge Current (@8/20μs) (KA)	Insulation Resistance (MΩ)	Electrode Capacitance (@1MHz) (pF)
MGT-*M075M-CAE	75	±20%	≤650	10	100	10	≥10000	≤1.5
MGT-*M090M-CAE	90	±20%	≤650	10	100	10	≥10000	≤1.5
MGT-*M150M-CAE	150	±20%	≤650	10	100	10	≥10000	≤1.5
MGT-*M230M-CAE	230	±20%	≤700	10	100	10	≥10000	≤1.5
MGT-*M250M-CAE	250	±20%	≤800	10	100	10	≥10000	≤1.5
MGT-*M300M-CAE	300	±20%	≤900	10	100	10	≥10000	≤1.5
MGT-*M350M-CAE	350	±20%	≤900	10	100	10	≥10000	≤1.5
MGT-*M400M-CAE	400	±20%	≤1000	10	100	10	≥10000	≤1.5
MGT-*M420M-CAE	420	±20%	≤1000	10	100	10	≥10000	≤1.5
MGT-*M470M-CAE	470	±20%	≤1000	10	100	10	≥10000	≤1.5
MGT-*M600M-CAE	600	±20%	≤1200	10	100	10	≥10000	≤1.5
MGT-*M800M-CAE	800	±20%	≤1400	10	100	10	≥10000	≤1.5

Gas Discharge Tube



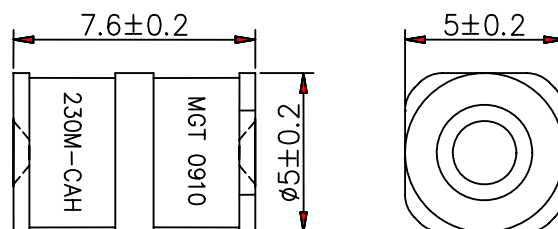
MGT Series

MERITEK

ELECTRODE ARRESTERS (φ5x5x7.6)

Dimensions: mm

MGT-DL***M-CAH



Model Number	DC Breakdown Voltage (@100V/S) (V)	Tolerance of DCBV	Impulse Breakdown Voltage (@1000V/μs) (V)	AC Discharge Current (@50Hz) (A)	Surge Discharge Current (@10/1000μs) (A)	Surge Discharge Current (@8/20μs) (KA)	Insulation Resistance (MΩ)	Electrode Capacitance (@1MHz) (pF)
MGT-DL075M-CAH	75	±20%	≤650	5	100	5	≥10000	≤1.5
MGT-DL090M-CAH	90	±20%	≤650	5	100	5	≥10000	≤1.5
MGT-DL150M-CAH	150	±20%	≤650	5	100	5	≥10000	≤1.5
MGT-DL230M-CAH	230	±20%	≤700	5	100	5	≥10000	≤1.5
MGT-DL250M-CAH	250	±20%	≤800	5	100	5	≥10000	≤1.5
MGT-DL300M-CAH	300	±20%	≤900	5	100	5	≥10000	≤1.5
MGT-DL350M-CAH	350	±20%	≤900	5	100	5	≥10000	≤1.5
MGT-DL400M-CAH	400	±20%	≤1000	5	100	5	≥10000	≤1.5
MGT-DL420M-CAH	420	±20%	≤1000	5	100	5	≥10000	≤1.5
MGT-DL470M-CAH	470	±20%	≤1000	5	100	5	≥10000	≤1.5
MGT-DL600M-CAH	600	±20%	≤1200	5	100	5	≥10000	≤1.5
MGT-DL800M-CAH	800	±20%	≤1400	5	100	5	≥10000	≤1.5

Gas Discharge Tube

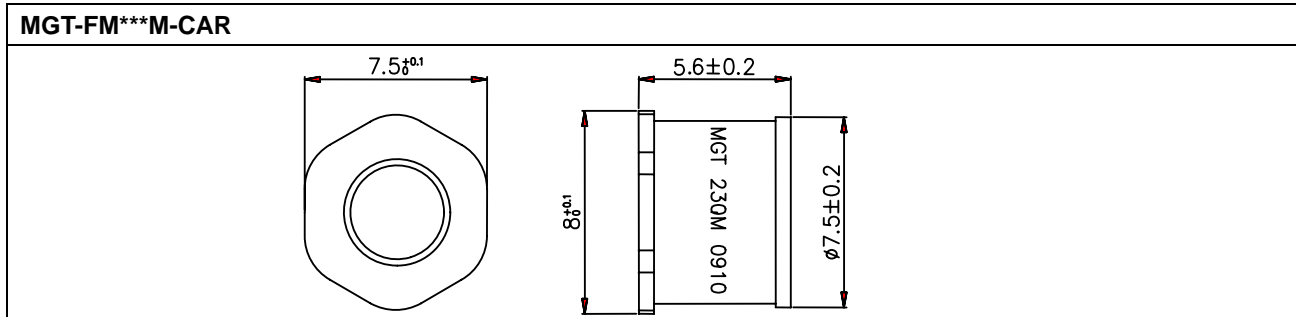


MGT Series

MERITEK

ELECTRODE ARRESTERS (φ7.5×8×6)

Dimensions: mm



Model Number	DC Breakdown Voltage (@100V/S) (V)	Tolerance of DCBV	Impulse Breakdown Voltage (@1000V/μs) (V)	AC Discharge Current (@50Hz) (A)	Surge Discharge Current (@10/1000μs) (A)	Surge Discharge Current (@8/20μs) (KA)	Insulation Resistance (MΩ)	Electrode Capacitance (@1MHz) (pF)
MGT-FM075M-CAR	75	±20%	≤650	10	100	10	≥10000	≤1.5
MGT-FM090M-CAR	90	±20%	≤650	10	100	10	≥10000	≤1.5
MGT-FM150M-CAR	150	±20%	≤650	10	100	10	≥10000	≤1.5
MGT-FM230M-CAR	230	±20%	≤700	10	100	10	≥10000	≤1.5
MGT-FM250M-CAR	250	±20%	≤800	10	100	10	≥10000	≤1.5
MGT-FM300M-CAR	300	±20%	≤900	10	100	10	≥10000	≤1.5
MGT-FM350M-CAR	350	±20%	≤900	10	100	10	≥10000	≤1.5
MGT-FM400M-CAR	400	±20%	≤1000	10	100	10	≥10000	≤1.5
MGT-FM420M-CAR	420	±20%	≤1000	10	100	10	≥10000	≤1.5
MGT-FM470M-CAR	470	±20%	≤1000	10	100	10	≥10000	≤1.5
MGT-FM600M-CAR	600	±20%	≤1200	10	100	10	≥10000	≤1.5
MGT-FM800M-CAR	800	±20%	≤1400	10	100	10	≥10000	≤1.5

Gas Discharge Tube

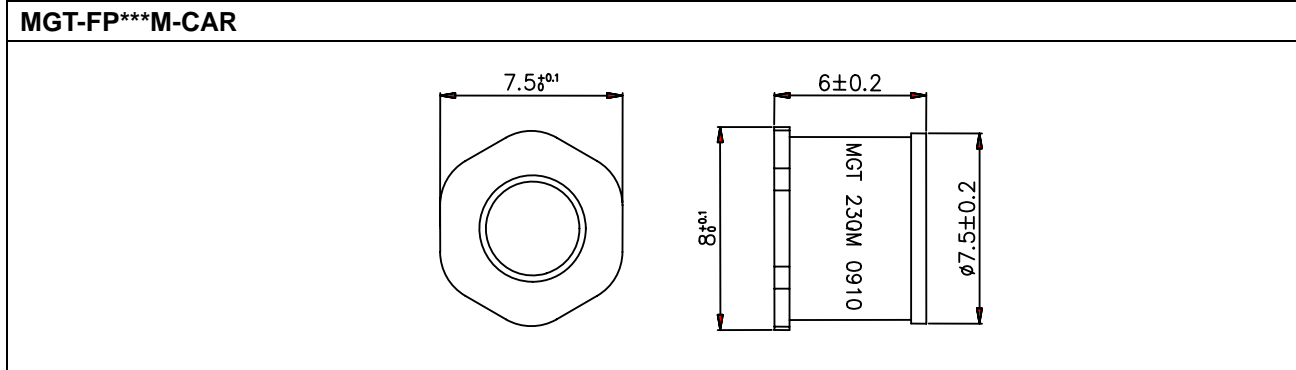


MGT Series

MERITEK

ELECTRODE ARRESTERS (Φ7.5x8x6)

Dimensions: mm

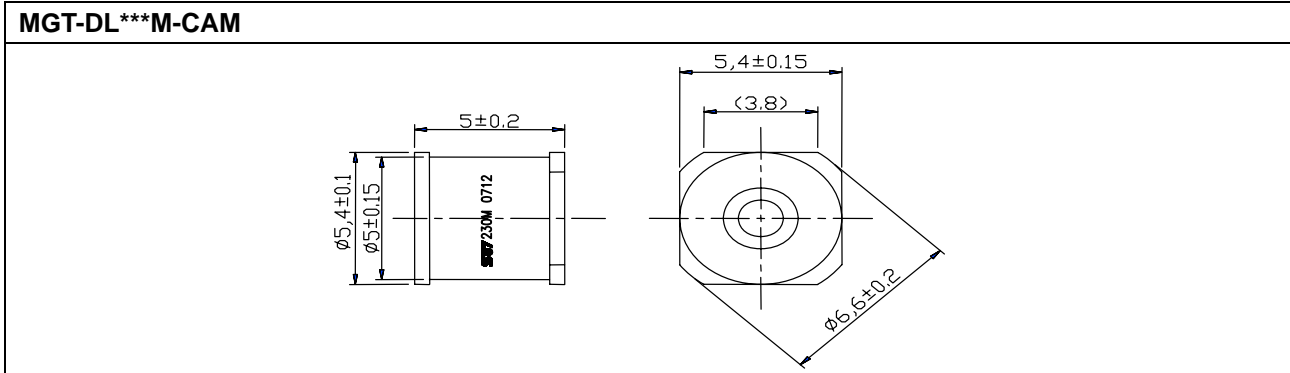


Model Number	DC Breakdown Voltage (@100V/S) (V)	Tolerance of DCBV	Impulse Breakdown Voltage (@1000V/μs) (V)	AC Discharge Current (@50Hz) (A)	Surge Discharge Current (@10/1000μs) (A)	Surge Discharge Current (@8/20μs) (KA)	Insulation Resistance (MΩ)	Electrode Capacitance (@1MHz) (pF)
MGT-FP075M-CAR	75	±20%	≤650	20	200	20	≥10000	≤1.5
MGT-FP090M-CAR	90	±20%	≤650	20	200	20	≥10000	≤1.5
MGT-FP150M-CAR	150	±20%	≤650	20	200	20	≥10000	≤1.5
MGT-FP230M-CAR	230	±20%	≤700	20	200	20	≥10000	≤1.5
MGT-FP250M-CAR	250	±20%	≤800	20	200	20	≥10000	≤1.5
MGT-FP300M-CAR	300	±20%	≤900	20	200	20	≥10000	≤1.5
MGT-FP350M-CAR	350	±20%	≤900	20	200	20	≥10000	≤1.5
MGT-FP400M-CAR	400	±20%	≤1000	20	200	20	≥10000	≤1.5
MGT-FP420M-CAR	420	±20%	≤1000	20	200	20	≥10000	≤1.5
MGT-FP470M-CAR	470	±20%	≤1000	20	200	20	≥10000	≤1.5
MGT-FP600M-CAR	600	±20%	≤1200	20	200	20	≥10000	≤1.5
MGT-FP800M-CAR	800	±20%	≤1400	20	200	20	≥10000	≤1.5



ELECTRODE ARRESTERS ($\phi 5.4 \times 5.4 \times 5$)

Dimensions: mm



Model Number	DC Breakdown Voltage (@100V/S) (V)	Tolerance of DCBV	Impulse Breakdown Voltage (@1000V/ μ s) (V)	AC Discharge Current (@50Hz) (A)	Surge Discharge Current (@10/1000 μ s) (A)	Surge Discharge Current (@8/20 μ s) (KA)	Insulation Resistance (M Ω)	Electrode Capacitance (@1MHz) (μ F)
MGT-DL075M-CAM	75	$\pm 20\%$	≤ 650	5	100	5	≥ 10000	≤ 1.5
MGT-DL090M-CAM	90	$\pm 20\%$	≤ 650	5	100	5	≥ 10000	≤ 1.5
MGT-DL150M-CAM	150	$\pm 20\%$	≤ 650	5	100	5	≥ 10000	≤ 1.5
MGT-DL230M-CAM	230	$\pm 20\%$	≤ 700	5	100	5	≥ 10000	≤ 1.5
MGT-DL250M-CAM	250	$\pm 20\%$	≤ 800	5	100	5	≥ 10000	≤ 1.5
MGT-DL300M-CAM	300	$\pm 20\%$	≤ 900	5	100	5	≥ 10000	≤ 1.5
MGT-DL350M-CAM	350	$\pm 20\%$	≤ 900	5	100	5	≥ 10000	≤ 1.5
MGT-DL400M-CAM	400	$\pm 20\%$	≤ 1000	5	100	5	≥ 10000	≤ 1.5
MGT-DL420M-CAM	420	$\pm 20\%$	≤ 1000	5	100	5	≥ 10000	≤ 1.5
MGT-DL470M-CAM	470	$\pm 20\%$	≤ 1000	5	100	5	≥ 10000	≤ 1.5
MGT-DL600M-CAM	600	$\pm 20\%$	≤ 1200	5	100	5	≥ 10000	≤ 1.5
MGT-DL800M-CAM	800	$\pm 20\%$	≤ 1400	5	100	5	≥ 10000	≤ 1.5