

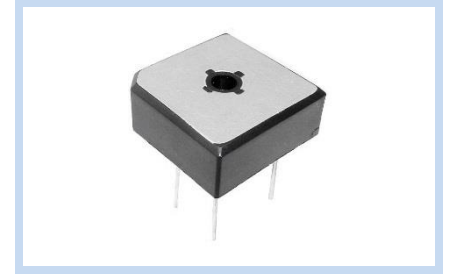
Single-Phase Bridge Rectifier 10.0A MP-W Package

MP10-W Series

MERITEK

FEATURE

- Operating Temperature: -55 ~ +150°C
- Average Forward Rectified Output Current 10.0A
- Repetitive Reverse Voltage from 50~1000V
- Surge Overload Ratings to 300A
- Integrally Molded Heat Sinks Provide Low Thermal Resistance
- Hole for # 10 Screw
- Flammability Classification 94V-0
- UL Safety Approved: Certification No: E223027



MAXIMUM RATINGS AND THERMAL CHARACTERISTICS

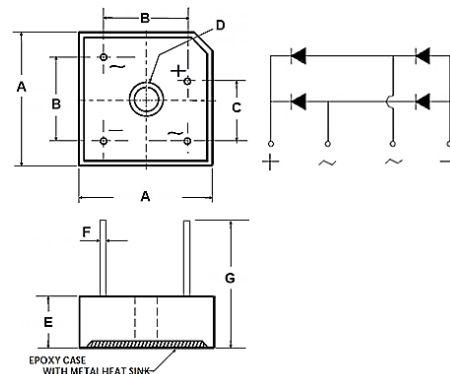


Parameter	Code	MP 10005W	MP 1001W	MP 1002W	MP 1004W	MP 1006W	MP 1008W	MP 1010W	Unit
Maximum Repetitive Peak Reverse Voltage	V_{RRM}	50	100	200	400	600	800	1000	V
Maximum RMS Bridge Input Voltage	V_{RMS}	35	70	140	280	420	560	700	V
Maximum DC Blocking Voltage	V_{DC}	50	100	200	400	600	800	1000	V
Maximum Average Forward Rectified Output Current	I_F	10, $T_A=55^\circ\text{C}$							A
Peak Forward Surge Current Single Sine-Wave Superimposed on Rated Load (JEDEC Method)	I_{FSM}	300							A
Rating for Fusing ($t < 8.3\text{ms}$)	I^2t	374							A^2sec
Maximum Instantaneous Forward Voltage Drop per Diode	V_F	1.0, $I_F=5.0\text{A}$							V
Maximum DC Reverse Current at Rated DC Blocking Voltage per Element	I_R	10, $T_A=25^\circ\text{C}$							μA
	I_R	500, $T_A=125^\circ\text{C}$							μA
Operating Junction and Storage Temperature	T_J, T_{STG}	-55~150							$^\circ\text{C}$
Typical Thermal Resistance per Element	$R_{\theta JA}$	2.1							$^\circ\text{C/W}$

- Note:
1. Rating at 25°C ambient temperature unless otherwise specified. Resistive or Inductive load, 60Hz. For Capacitive load derate current by 20%.
 2. Thermal resistance from Junction to Ambient on P.C. board mounting.

DIMENSION AND PIN CONFIGURATION

Item	Min. (mm)	Max. (mm)
A	28.30	28.80
B	17.60	18.60
C	10.90	11.90
D	DIA. 5.10	DIA. 5.60
E	10.97	11.23
F	0.97	1.07
G	30.50	-



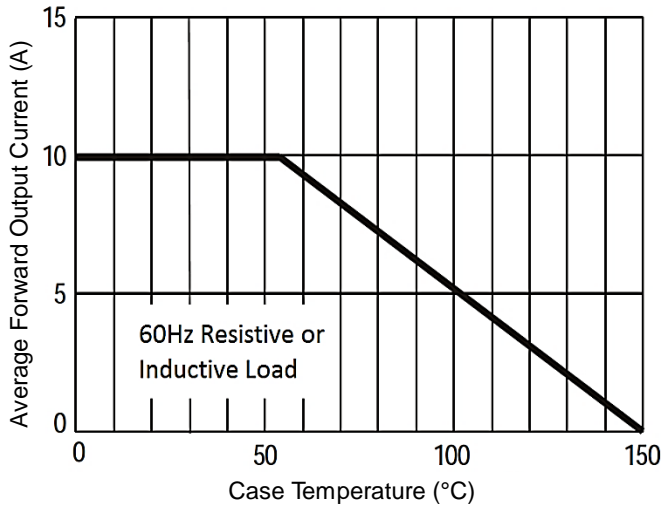
Single-Phase Bridge Rectifier 10.0A MP-W Package

MP10-W Series

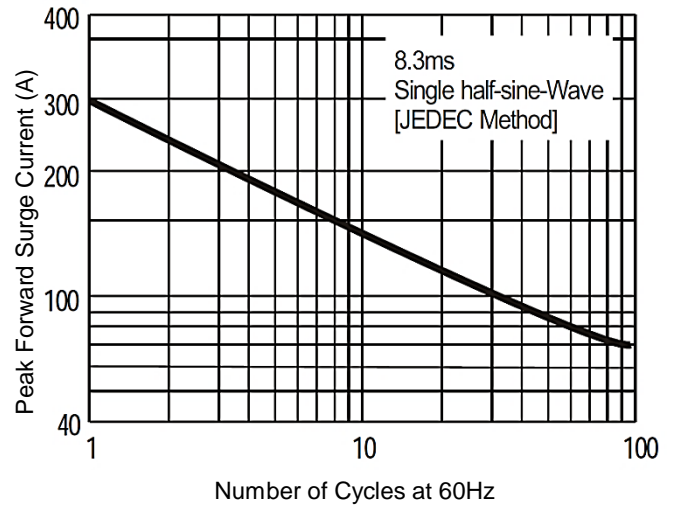
MERITEK

RATING AND CHARACTERISTIC CURVES

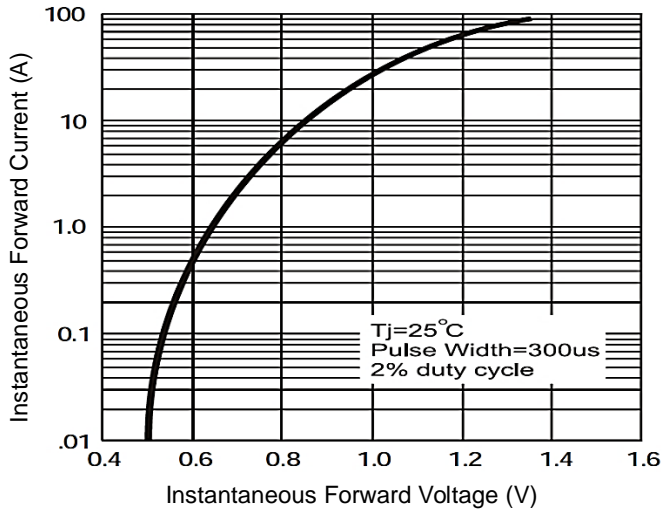
Derating Curve for Output Rectified Current



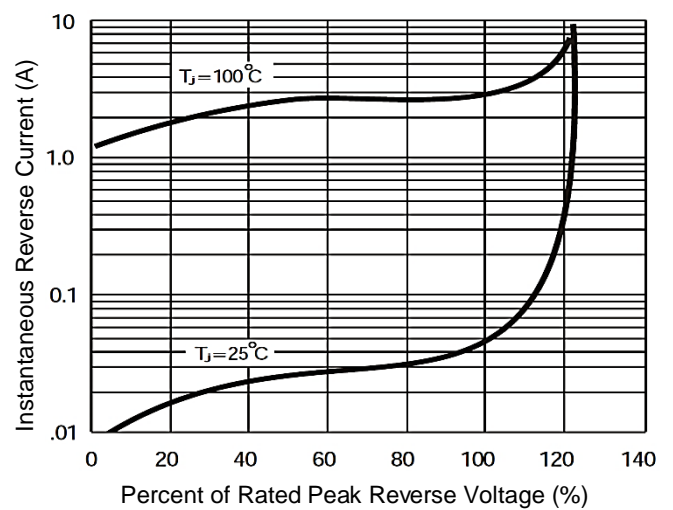
Maximum Non-Repetitive Peak Forward Surge Current



Typical Instantaneous Forward Characteristics



Typical Reverse Characteristics at $T_j = 25^\circ\text{C}$



*Specifications subject to change without notice.