

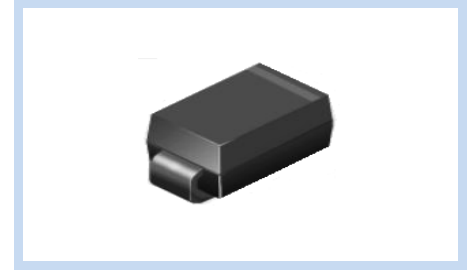
# Schottky Barrier Rectifier 2A, 20~200V DO-214AC SMA

SK22A to SK220A

MERITEK

## FEATURE

- Operating Temperature: -65 ~ 125°C
- High Surge Capability
- Low Power Loss, High Efficiency
- Built-in Strain Relief
- Low Profile Construction
- Flame Resistance UL-94V-O



## ELECTRICAL CHARACTERISTICS

Parameter	Symbol	SK 22A	SK 23A	SK 24A	SK 25A	SK 26A	SK 28A	SK 210A	SK 215A	SK 220A
Maximum Recurrent Peak Reverse Voltage	$V_{RRM}$	20V	30V	40V	50V	60V	80V	100V	150V	200V
Maximum RMS Voltage	$V_{RMS}$	14V	21V	28V	35V	42V	56V	71V	105V	140V
Maximum DC Blocking Voltage	$V_{DC}$	20V	30V	40V	50V	60V	80V	100V	150V	200V
Maximum Average Forward Rectified Current	$I_{AV}$	2.0A								
Peak Forward Surge Current (JEDEC method)	$I_{FSM}$	50.0A								
Maximum Forward Voltage at 2.0A <sup>Note 1</sup>	$V_F$	0.50V	0.55V	0.75V		0.85V		0.95V		
Maximum Reverse Current at Rated DC Blocking Voltage	$I_R$	0.5mA at $T_J = 25^\circ\text{C}$								
		20.0mA at $T_J = 100^\circ\text{C}$								
Typical Thermal Resistance <sup>Note 2</sup>	$R_{\theta JA}$	75.0°C/W								
	$R_{\theta JL}$	17.0°C/W								
Operating Junction Temperature	$T_J$	-65 ~ 125°C								
Storage Temperature	$T_{stg}$	-65 ~ 150°C								

Notes:

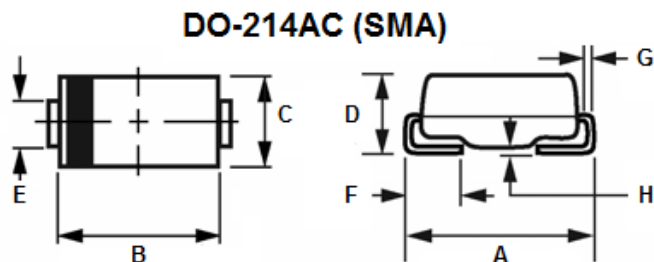
1. Pulse test: 300µs pulse width, 1% duty cycle

2. P.C.B. mounted with 8.0 x 8.0mm copper pad areas

3.  $T_A = 25^\circ\text{C}$  unless otherwise specified. Single phase, half wave, 60 Hz, resistive or inductive load, for capacitive load, derate current by 20%.

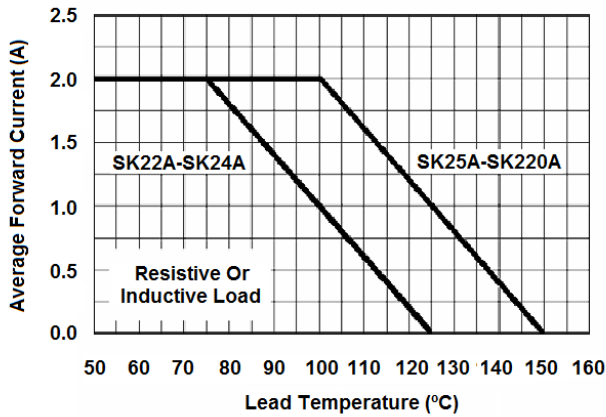
## DIMENSIONS

Item	Min (mm)	Max (mm)
A	4.70	5.31
B	4.00	4.60
C	2.18	2.90
D	1.70	2.44
E	1.23	1.70
F	0.76	1.52
G	0.152	0.305
H	0.000	0.203

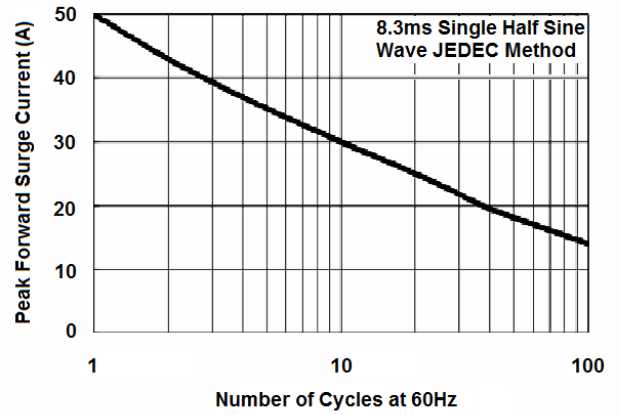


## CHARACTERISTIC CURVES

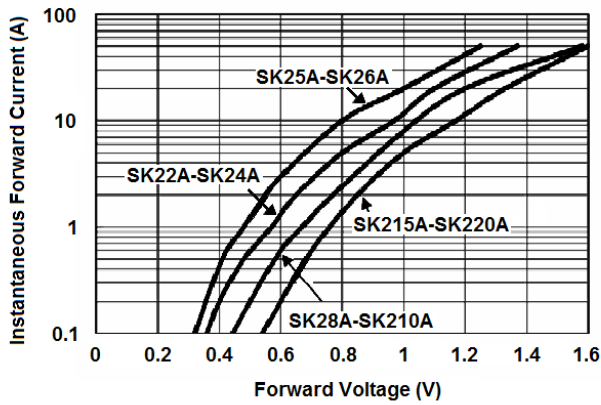
Maximum Forward Current Derating Curve



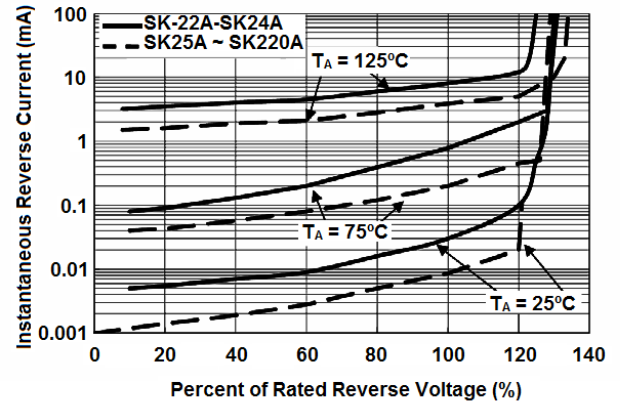
Maximum Non-Repetitive Forward Surge Current



Typical Forward Characteristics



Typical Reverse Characteristics



Meritek Discrete Components: <http://www.meritekusa.com/EN/productlist/node/22>

Meritek Product Series: <http://www.meritekusa.com/EN/products>

\*Specifications subject to change without notice.