

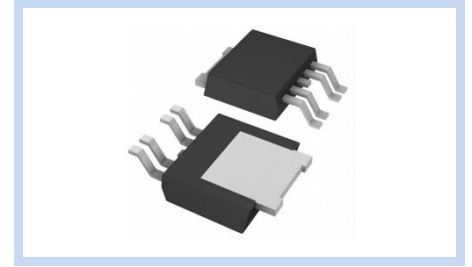
MOSFET TO252-4L Package

MFT-2524 series

MERITEK

FEATURE

- Operating and Storage Temperature: -55°C ~ +150°C
- Fast Switching Characteristics
- Improved dv/dt Capability



PART NUMBERING SYSTEM

MFT **3** **2N** **42** **2524S**
 (1) (2) (3) (4) (5)

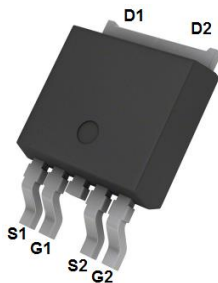


No	Item	Code	Part Description	Series Reference
(1)	Meritek Series	MFT	Meritek MOSFET Series	Surface Mount Type
(2)	Voltage Rating	3	3: 30V	Drain-Source Voltage, 10:100V
(3)	FET Type	2N	2N: Dual N+N Channels	Dual N+P-Channel MOSFET
(4)	Current Rating	42	42: 42A	Continuous Drain Current, T _C =25°C
(5)	Internal Code	2524S	Internal Control Reference	Package or Project Reference

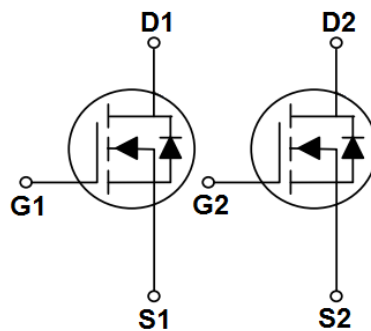
SURFACE MOUNT MOSFET PACKAGE REFERENCE TABLE

Series	FET Type	Channel/ Feature	Continuous Drain Current (I _D) @ 25°C	R _{DS(ON)} Max. @ 4.5 V _{GS}	Power Dissipation (P _D) @25°C	Drain to Source Voltage (V _{DS})
MFT(2N)-2524	N+N	Dual	42A	13mΩ	31.25W	30V
MFT(NP)-2524D	N+P	Dual Common Drain	12 ~ 19A	18 ~ 68mΩ	20 ~ 32.5W	-30V, -40V, -60V, 30V, 40V, 60V

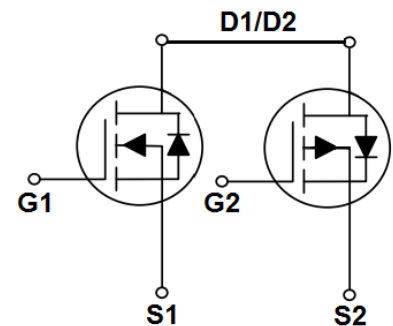
PIN CONFIGURATION



TO-252-4L



Dual N Type



Dual N+P Type Common Drain

MOSFET TO252-4L Package

MFT-2524 series

MERITEK

ELECTRICAL CHARACTERISTICS

MFT(N)-2524 Series – Dual N Channel Type

Part Number	V _{DS} (V)	I _D (A)		V _{GS} (V)	R _{DS(ON)} (mΩ) max. at V _{GS}		Q _g (nC)		CISS (pF)	P _D (W) @25°C	T _S , T _J (°C)
		25°C	100°C		10V	4.5V	10V	4.5V			
MFT32N422524S	30	42	26.5	±20	7.5/9	10.5/13	-	7.5	750	31.25	-55 ~ +150

MFT(NP)-2524D Series – Dual N+P Channel Common Drain Type

Part Number	V _{DS} (V)	I _D (A)		V _{GS} (V)	R _{DS(ON)} (mΩ) max. at V _{GS}		Q _g (nC)		CISS (pF)	P _D (W) @25°C	T _S , T _J (°C)
		25°C	100°C		10V	4.5V	10V	4.5V			
MFT3NP162524DS	30	16	10.1	±20	9.4/12	13/18	-	7.4	620	32.5	-55 ~ +150
	-30	12	7.6	±20	24/30	37/46	-	8	757	32.5	-55 ~ +150
MFT4NP152524DS	40	15	9	±20	26/32	36/42	-	5.2	420	20	-55 ~ +150
	-40	12	7	±20	30/40	42/52	-	9	1050	20	-55 ~ +150
MFT6NP192524DS	60	19	12	±20	25/30	28/36	16.6	-	1180	20.1	-55 ~ +150
	-60	17	10.7	±20	40/48	53/68	22.4	-	1250	20.1	-55 ~ +150

Note:

1. TA=25°C unless otherwise specified. 2. PD is Power Dissipation Derate above 25°C.
- *Specifications subject to change without notice.