

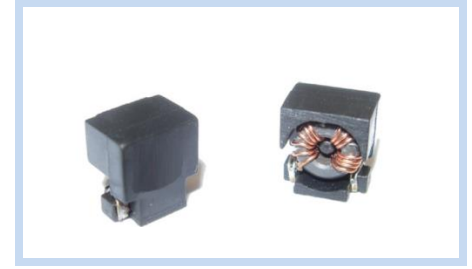
Signal Inductor Toroidal Coil Type

SIO-DV Series

MERITEK

FEATURES

- Operating temperature: : -25°C to +85°C
- Toroidal Coil Style
- Applications: LC filter for CATV diplex filter



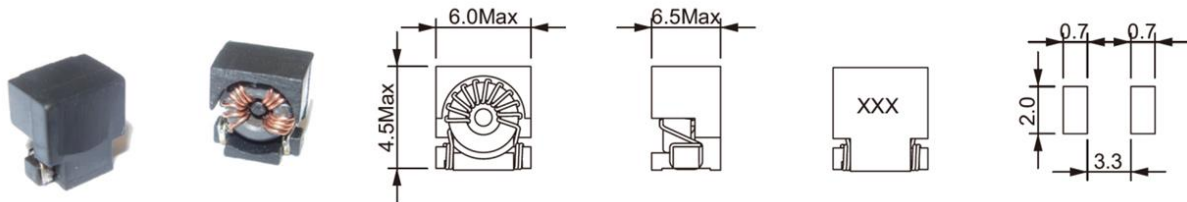
PART NUMBERING SYSTEM



SI O 0604 K 151 DV
(1) (2) (3) (4) (5) (6)

No	Item	Digit	Description	Series Reference
(1)	Meritek Series	SI	Signal Inductor	LI: Leaded Inductor PI: Power Inductor
(2)	Type	O	Toroidal Coil Type	A: Air Wound Coil B: Balun C: Common Mode Choke E: Ceramic Chip F: Ferrite Chip M: Multi-Layer W: Wire Wound
(3)	Dimension	0604	Dimension Information	Footprint information or Size Code
(4)	Tolerance	K	±10%	H: ±3%, J: ±5%
(5)	Inductance	151	151: 150nH	150nH ~ 330nH
(6)	Package Code	DV	Package Information	See package code listed below

DIMENSION



(Units: mm)

ELECTRICAL CHARACTERISTICS

0604OI Type

Part number	Inductance (nH)	Tolerance (± %)	Test Freq.	Min Q
SIO0604□151DV	150	H, J, K	40MHz	80
SIO0604□181DV	180	H, J, K	40MHz	80
SIO0604□271DV	270	H, J, K	40MHz	80
SIO0604□331DV	330	H, J, K	40MHz	80

Notes:

- (Tolerance: H=±3%, J=±5%, K=±10%)
- Operating Temp. : -25°C to +85°C
- Inductance measured using the HP4291B or HP4287A .
- Q measured using the HP4291B or HP4287A.
- Test Fixture: HP16193A.

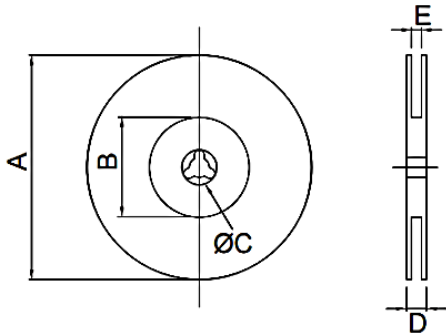
Signal Inductor Toroidal Coil Type

SIO-DV Series

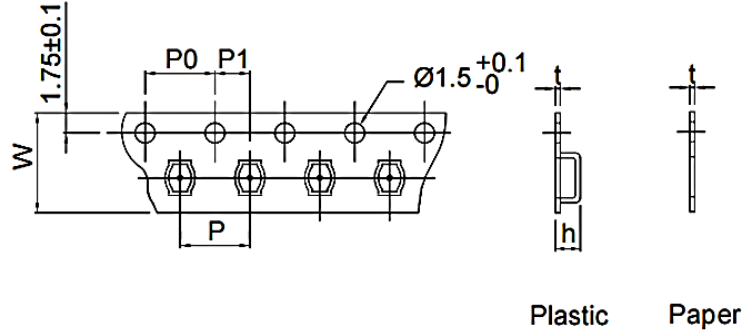
MERITEK

PACKAGING SPECIFICATION

CARRIER TAPE REELS



TAPE DIMENSIONS (mm)



Size	Reel Dimension (mm)					Tape Dimensions (mm)						Parts Per Reel		Quantity per	
	A	B	C	D	E	W	P	P0	P1	h	t	7"	13"	Box	Carton
0604	340	100	13	20.5	16.5	16	12	4	2	6.20	0.4	----	700	1,400	4,200