

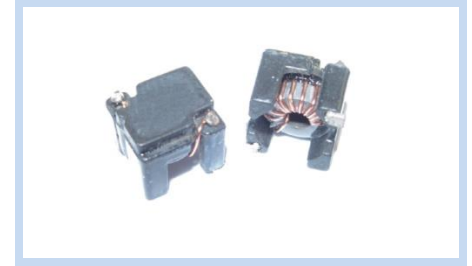
Signal Inductor Toroidal Coil Type

SIO-BI Series

MERITEK

FEATURES

- Operating temperature: : -40°C to +125°C
- Toroidal Coil style
- Applications: LC filter for CATV diplex filter



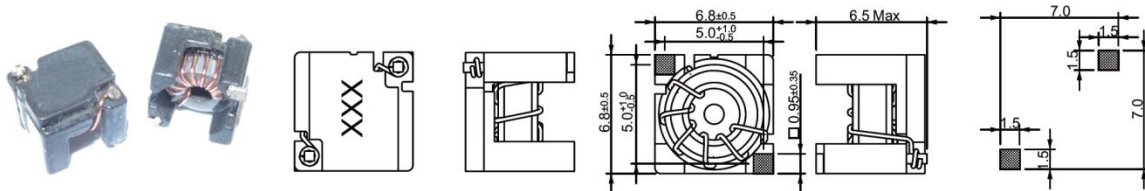
PART NUMBERING SYSTEM



SI (1) O (2) 0707 (3) K (4) 221 (5) BI (6)

No	Item	Digit	Description	Series Reference
(1)	Meritek Series	SI	Signal Inductor	LI: Leaded Inductor PI: Power Inductor
(2)	Type	O	Toroidal Coil Type	A: Air Wound Coil B: Balun C: Common Mode Choke E: Ceramic Chip F: Ferrite Chip M: Multi-Layer W: Wire Wound
(3)	Dimension	0707	Dimension Information	Footprint information or Size Code
(4)	Tolerance	K	±10%	H: ±3%, J: ±5%
(5)	Inductance	221	221: 220nH	220nH ~ 430nH
(6)	Package Code	BI	Package Information	See package code listed below

DIMENSION



(Units: mm)

ELECTRICAL CHARACTERISTICS

0707OI Type

Part Number	Marking	Inductance (nH)	Tolerance (± %)	Q (Min)	Test Freq.
SIO0707□221BI	220	220	G,J,K	100	40 MHz
SIO0707□331BI	330	330	G,J,K	100	41 MHz
SIO0707□241BI	240	240	G,J,K	100	42 MHz
SIO0707□201BI	200	200	G,J,K	100	43 MHz
SIO0707□301BI	300	300	G,J,K	100	44 MHz
SIO0707□431BI	430	430	G,J,K	100	45 MHz

Notes:

- (Tolerance: G=±2%, J=±5%, K=±10%)
- Operating Temp. : -40°C to +125°C
- Inductance measured using the HP4291B or HP4287A.
- Q measured using the HP4291B or HP4287A.
- Test Fixture: HP16193A.

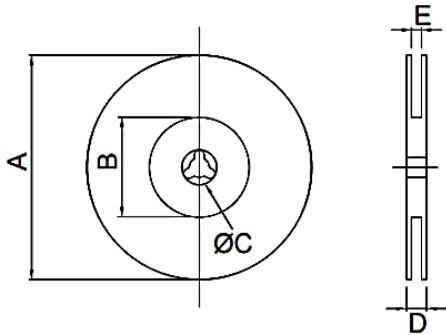
Signal Inductor Toroidal Coil Type

SIO-BI Series

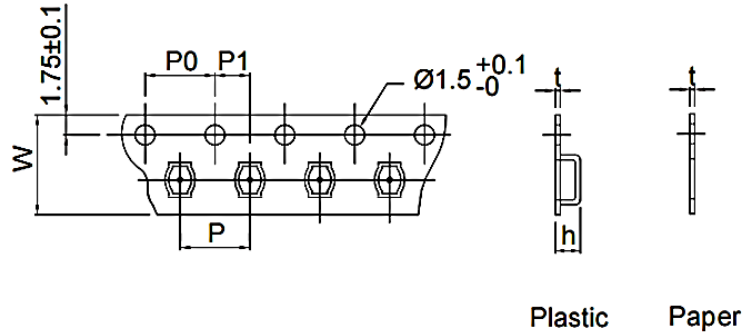
MERITEK

PACKAGING SPECIFICATION

CARRIER TAPE REELS



TAPE DIMENSIONS (mm)



Size	Reel Dimension (mm)					Tape Dimensions (mm)						Parts Per Reel		Quantity per	
	A	B	C	D	E	W	P	P0	P1	h	t	7"	13"	Box	Carton
0707	340	100	13	20.5	16.5	16	12	4	2	6.50	0.35	----	800	1,600	4,800