

# Aluminum Electrolytic Capacitors

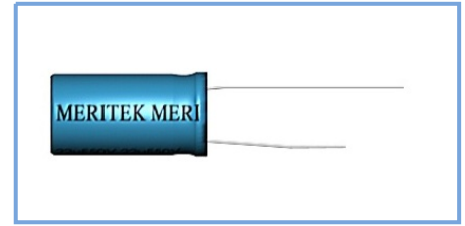


**BPS Series**  
( Non Polarity, 5mmL 85°C )

**MERITEK**

## FEATURES

- Non polarity series with 5mm height



## SPECIFICATIONS

Item	Characteristic						
Operating Temp Range	- 40 ~ +85°C						
Rated Working Voltage	6.3 ~ 50VDC						
Capacitance Tolerance (120Hz 20°C)	± 20%(M)						
Leakage Current (20°C)	I ≤ 0.05CV or 10(μA) * Whichever is greater after 2 minutes				I : Leakage Current (μA) C : Rated Capacitance(μF) V : Working Voltage (V)		
Surge Voltage (20°C)	W.V.	6.3	10	16	25	35	50
	S.V.	8	13	20	32	44	63
Dissipation Factor ( tan δ ) (120Hz 20°C)	W.V.	6.3	10	16	25	35	50
	tan δ	0.24	0.20	0.17	0.17	0.15	0.15
Low Temperature Stability	Impedance ratio at 120Hz						
	Rated Voltage (V)	6.3	10	16	25	35	50
	-25°C / +20°C	4	3	2	2	2	2
	-40°C / +20°C	10	8	6	4	3	3
Load Life	After 1000 hours application of W.V. and +85°C ripple current value , the capacitor shall meet the following limits. ( DC + ripple peak voltage ≤ rated working voltage ) ( The polarity need to exchange every 250 hours )						
	Capacitance Change	≤ ±20% of initial value.					
	Dissipation Factor	≤ 200% of initial specified value					
	Leakage Current	≤ initial specified value					
Shelf Life	At +85°C no voltage application after 500 hours the capacitor shall meet the limits for load life characteristics. ( with voltage treatment )						

## PART NUMBER SYSTEM

**BPS 16V 100 M TA 5x5**

Meritek Series

Rated Voltage

Rated Capacitance

Express in micro farad(μF), First two digits are significant figures, Third digit denotes number of zeros. 'R' denotes decimal point for values less than 10μF

Tolerance

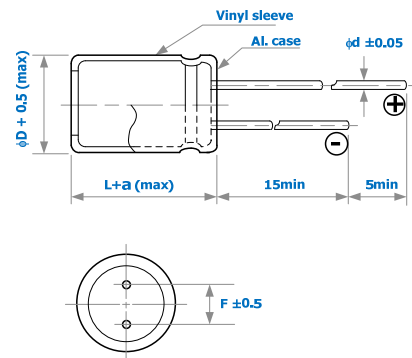
M - ±20%

Package

Code	TA	TR	Blank
	Tape & Ammo	Tape & Reel	

Case size - (D) Diameter x (L) Length in mm (Optional)

## DIMENSIONS (mm)



φD	4	5	6.3
F	1.5	2.0	2.5
d	0.45	0.45	0.45
a	1.0	1.0	1.0

# Aluminum Electrolytic Capacitors



**BPS Series**  
( Non Polarity, 5mmL 85°C )

**MERITEK**

## CASE SIZE & MAX RIPPLE CURRENT

Case size : DxL (mm)  
Max. ripple current : mA(rms) 85°C 120Hz

Cap. (uF)	V Item	6.3		10		16		25		35		50	
		DxL	R.C.	DxL	R.C.	DxL	R.C.	DxL	R.C.	DxL	R.C.	DxL	R.C.
0.1											→	4x5	1
0.22											→	4x5	2
0.33											→	4x5	2.8
0.47											→	4x5	4
1.0											→	4x5	8.4
2.2									→	4x5	8.4	5x5	13
3.3							→	5x5	12	5x5	16	5x5	17
4.7					→	4x5	12	5x5	16	5x5	18	6.3x5	20
10		4x5	14	4x5	17	5x5	23	6.3x5	27	6.3x5	29		
22		5x5	28	6.3x5	33	6.3x5	37						
33		6.3x5	37	6.3x5	41	6.3x5	49						
47		6.3x5	45										

All blank voltage on sleeve marking is the same voltage as “→” point to.